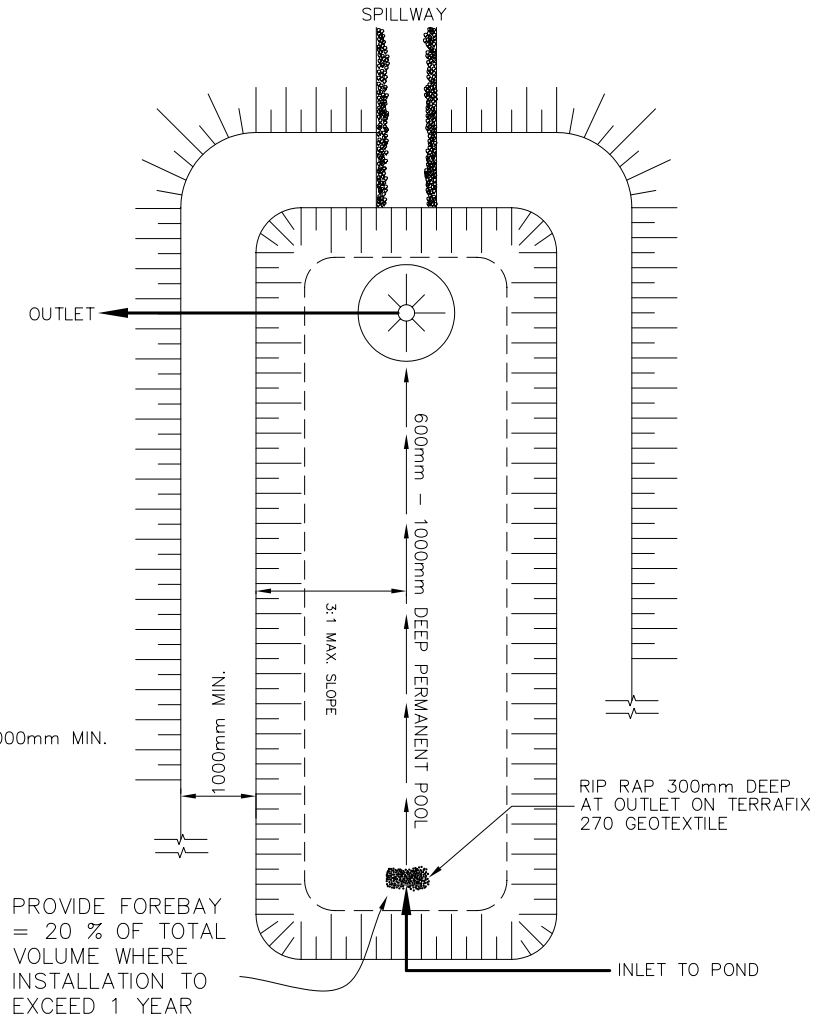
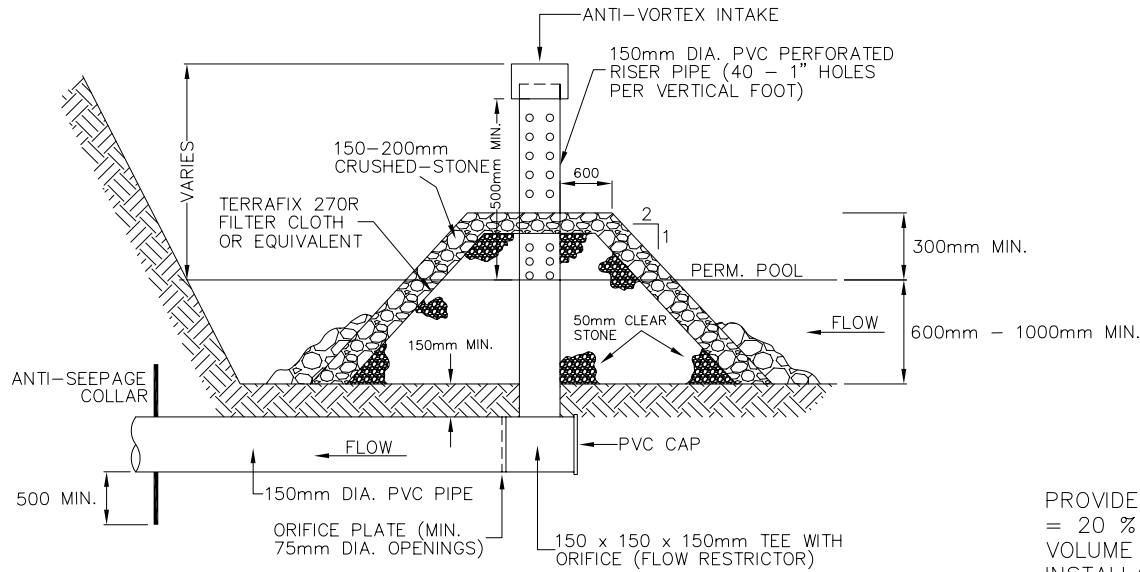


NOTES:

1. THIS STANDARD IS TO BE IN ACCORDANCE WITH SCHEDULE "B" OF THE SITE ALTERATION BY-LAW, 'CODE FOR THE DESIGN AND MAINTENANCE OF EROSION AND SEDIMENTATION CONTROL MEASURES' AND IS TO BE ADMINISTERED ACCORDINGLY.
2. POND BERMS TO BE CONSTRUCTED USING IMPERVIOUS MATERIAL, COMPACTED TO 95% S.P.D, AND INSPECTED BY A PROFESSIONAL ENGINEER.
3. A 1500mm HIGH BARRIER FENCE SHALL BE ERECTED ALONG PERIMETER OF SEDIMENT BASIN. WARNING SIGNS SHALL BE ATTACHED TO THE FENCING STATING THE AREA IS OFF LIMITS TO THE GENERAL PUBLIC, AND ADVISING THAT THE BASIN IS USED FOR SEDIMENT CONTROL PURPOSES, AND THAT THE SUBJECT AREA IS SUBJECT TO FLASH FLOODING.
4. THE BASIN IS TO BE CONSTRUCTED ON THE BASIS OF A MIN. LENGTH TO WIDTH RATIO OF 4 TO 1.
5. APPROPRIATE PESTICIDE AND LAVICIDE CONTROLS SHOULD BE MAINTAINED TO CONTROL MOSQUITO BREEDING AS DIRECTED BY MEDICAL OFFICER OF HEALTH



PLAN VIEW

CITY OF BARRIE STANDARD

TEMPORARY SEDIMENT
BASIN AND OUTLET DETAILS

1	MODIFICATIONS BY ENV. SER.		04.04.06
NO.	REVISION	APR'D	DATE

APR'D: R.G.N. DATE: 03.08.29

DRAWN: A.S.C SCALE: N.T.S

BSD-23C