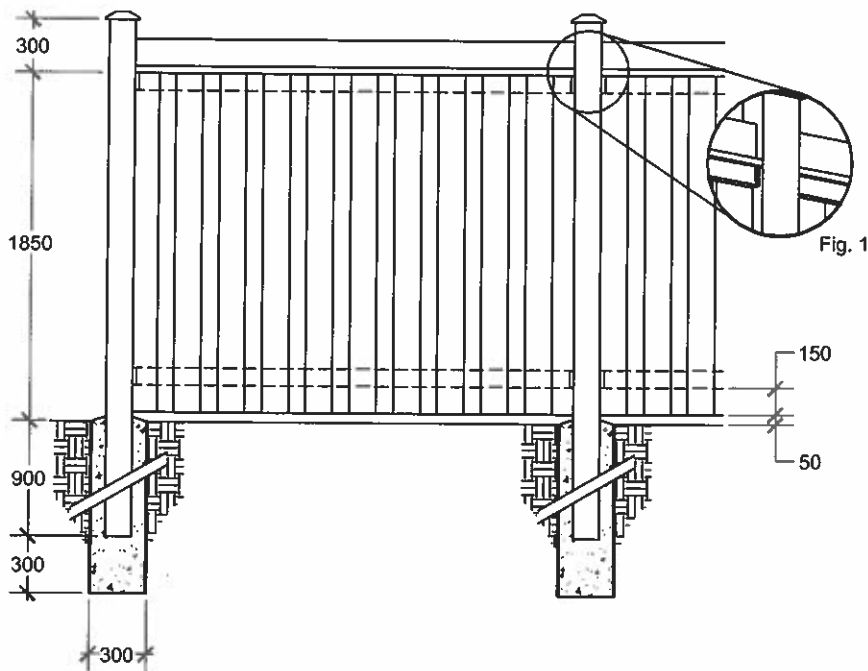
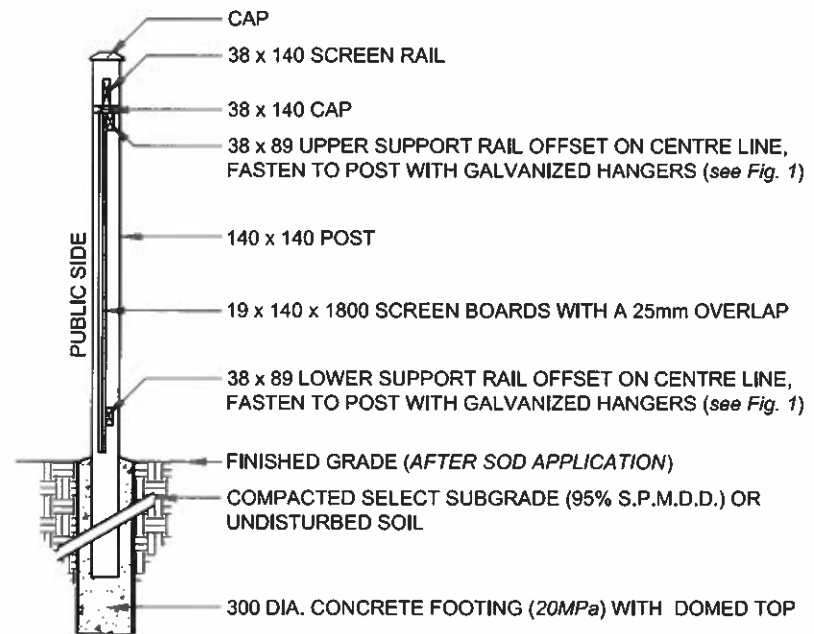


1. ALL LUMBER TO BE PRETREATED WITH AN APPROVED BROWN, MICRONIZED COPPER WOOD PRESERVATIVE OR APPROVED EQUIVALENT.
2. FENCE LOCATIONS AND DIMENSIONS MUST BE IN ACCORDANCE WITH APPLICABLE LANDSCAPE LAYOUT AND APPROVED DRAWINGS.
3. ALL DIMENSIONS ARE IN MILLIMETRES UNLESS NOTED.
4. ALL HARDWARE TO BE HOT DIP GALVANIZED.
5. FOR SLOPE ACCOMMODATION SEE ALSO BSD-1207.



SECTION A-A



SECTION B-B

The City of  
**BARRIE**  
STANDARD DETAIL

OVERLAPPING BOARD  
RESIDENTIAL TO RESIDENTIAL  
FENCE

REV No. DATE: JUNE 2015

1

SCALE: N.T.S.

BSD-1206

APPROVED

DATE: June 11/15

... J.M.W. ...  
DIRECTOR OF ENGINEERING