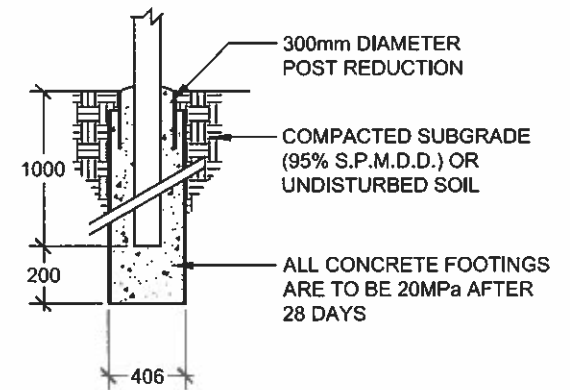


1. FENCE LOCATIONS AND DIMENSIONS MUST BE IN ACCORDANCE WITH APPROVED ENGINEERING AND/OR LANDSCAPE PLANS.
2. ALL FENCE PIPE SCHEDULE 40 GALVANIZED AND #9 GAUGE 38mm MESH.
3. ALL HARDWARE TO BE HOT DIPPED GALVANIZED.
4. TIE WIRES - #9 GAUGE HARD ALUMINUM 450mm O.C. (REFERENCE 5052-H18-ASTM-BS11 FASTENERS).
5. ALL RAILS ARE 42.9mm DIAMETER AND HAVE END CAPS WITH A BRACE BAND.
6. INSTALL 89mm TENSION BAR ON THE BIAS OF THE DEGREE TO ENSURE MESH IS TAUNT AT THE INTERSECTION OF THE OVERHANG.
7. THE TOP OF WIRE MESH SHALL BE KNUCKLED OVER SUCH THAT NO SHARP PROJECTIONS ARE VISIBLE OVER THE TOP RAIL.
8. MESH TO FACE INFIELD.
9. FOR LAYOUT OF SOFTBALL INFIELD AND BACKSTOP SEE BSD-1255.
10. ALL DIMENSIONS ARE IN MILLIMETRES.
11. DETAIL TO BE USED IN CONJUNCTION WITH BSD-1255, BSD-1256 AND BSD-1257.



FOOTING DETAIL

The City of
BARRIE
STANDARD DETAIL

SOFTBALL BACKSTOP DETAIL

REV No. DATE: JUNE 2015

1

SCALE: N.T.S.

BSD-1258
FORMERLY BSD-67

APPROVED

DATE: June 11, 2015

..... J.M.W.
DIRECTOR OF ENGINEERING