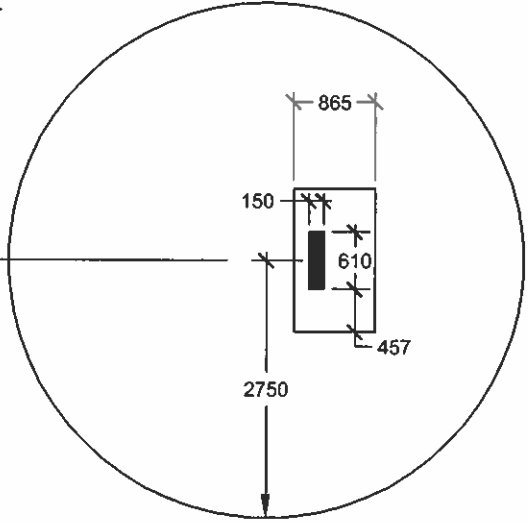


UNDISTURBED SUBGRADE
 MAR-CO MOUND CLAY OR EQUIVALENT
 MAR-CO CLAY WASHINGTON BALL MIX OR EQUIVALENT
 FREE DRAINING SAND BASE



HOME PLATE

SECTION A-A

1. FOR PLACEMENT OF PITCHING MOUND SEE BSD-1260.
2. CONTACT WWW.MARCOCLAY.COM FOR PRODUCT REFERENCE.
3. ALL DIMENSIONS ARE IN MILLIMETRES.
4. DETAIL TO BE USED IN CONJUNCTION WITH BSD-1260, BSD-1261, BSD-1262 AND BSD-1263.

The City of
BARRIE
 STANDARD DETAIL

BASEBALL PITCHING MOUND AND
 INFIELD MIX DETAIL

REV No.	DATE: JUNE 2015
1	SCALE: N.T.S.
BSD-1264	

APPROVED
 DATE: June 11/15
[Signature]
 DIRECTOR OF ENGINEERING