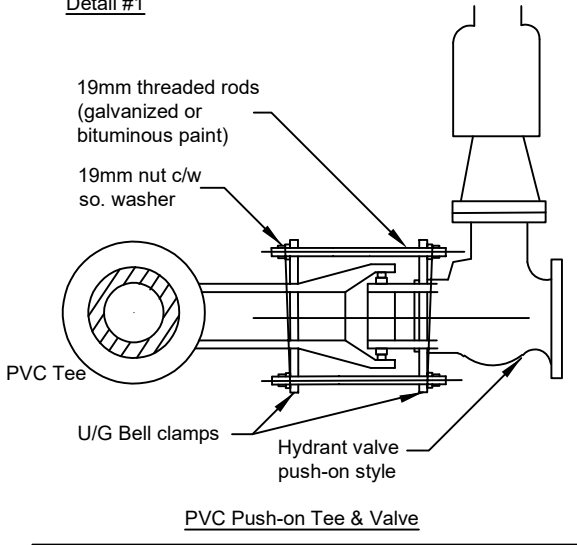
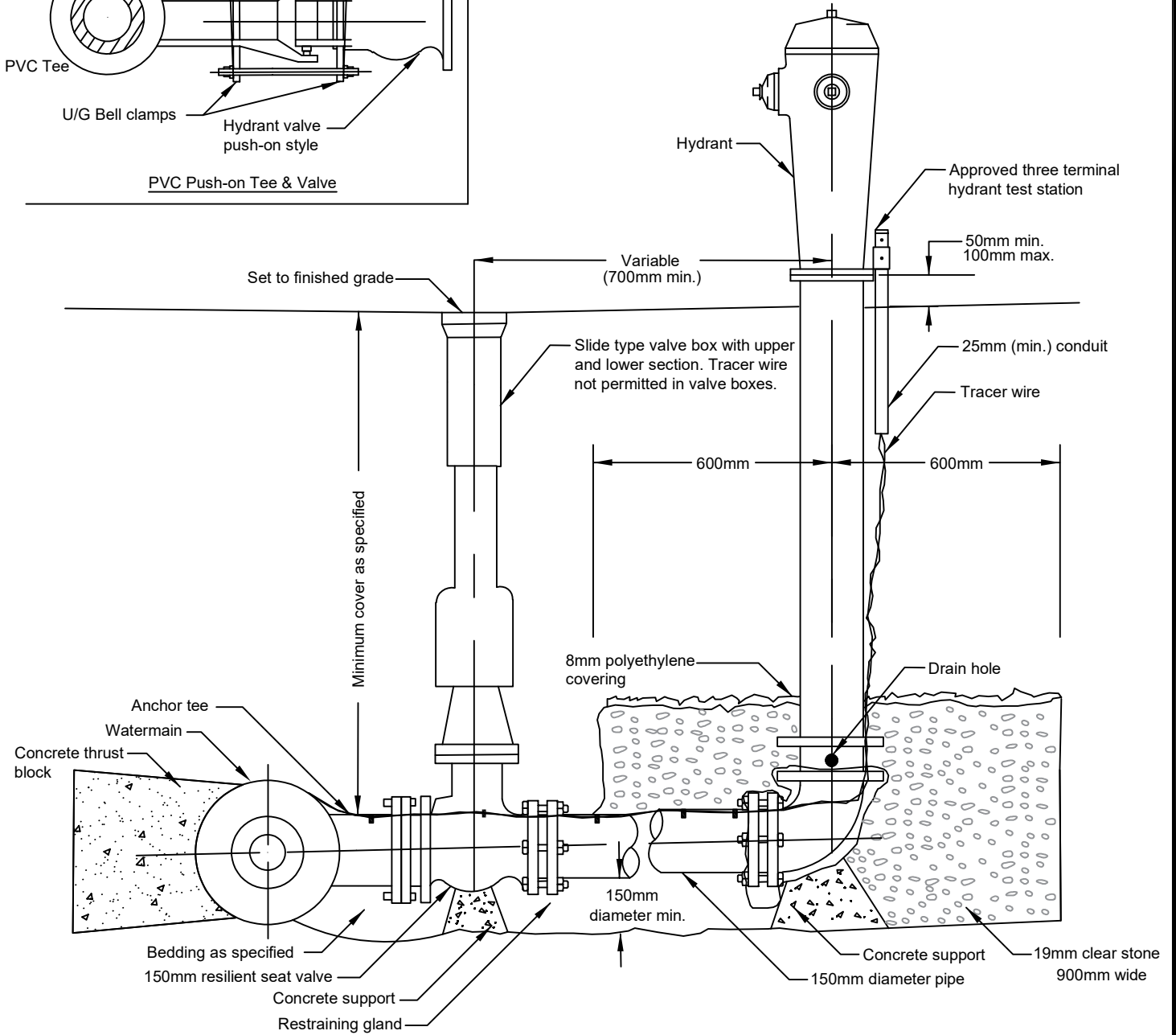


Detail #1



Notes:

1. To be interpreted in conjunction with the current Water Transmission and Distribution Policies and Design Guidelines, the Approved Manufacturers Products for Linear Water Systems list and BSD-515 for tracer wire detail.
3. See Detail #1 for PVC push-on joint.
4. All concrete thrust blocks to be poured against undisturbed ground.
5. Polyethylene bond breaker to be used between concrete and fittings.
6. Bolts for buried flange connections are to be stainless steel.
7. Hydrant lead shall be restrained from watermain to hydrant boot.



**Standard Hydrant and
Valve Installation**

REV No.

2

DATE: April 2019

SCALE: N.T.S.

BSD-507