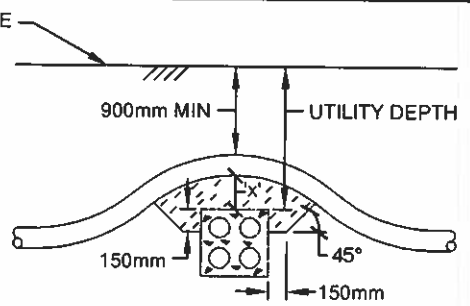
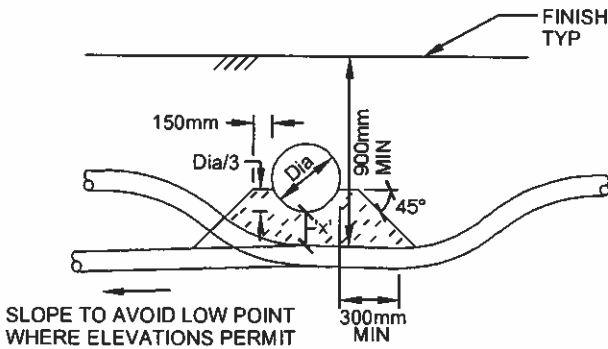


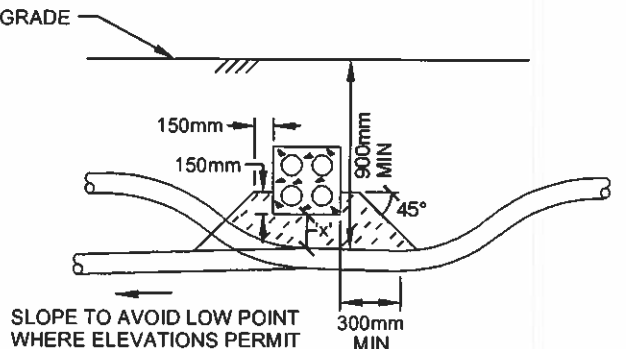
CROSSING OVER UTILITY



CROSSING OVER CONCRETE ENCASED UTILITY



CROSSING UNDER UTILITY



CROSSING UNDER CONCRETE ENCASED UTILITY

NOTES:

1. THE REQUIRED CLEARANCE 'X' BETWEEN THE UTILITY AND THE DUCTS OR CONCRETE ENCASEMENT IS:

UTILITY	'x' mm MIN
DUCTS, DIRECT BURIED OR ENCASED	100
ALL OTHER PIPES	500
HIGH VOLTAGE CABLES	1000
ALL OTHER CABLES	300

- 2. TRENCH WIDTHS AS PER OCCUPATIONAL HEALTH AND SAFETY ACT. UTILITY SUPPORTED IN PLACE WHERE REQUIRED.
- 3. ALL DIMENSIONS ARE IN MILLIMETRES UNLESS OTHERWISE SHOWN.

APPROVED  
 DATE June 4/15  
 [Signature]  
 DIRECTOR OF ENGINEERING

City of  
**BARRIE**  
 STANDARD DETAIL

ROADWAY LIGHTING DUCT  
 INSTALLATION AT UTILITY  
 CROSSING

REV No. 1  
 DATE: MAY 2015  
 SCALE: N.T.S.

BSD-800