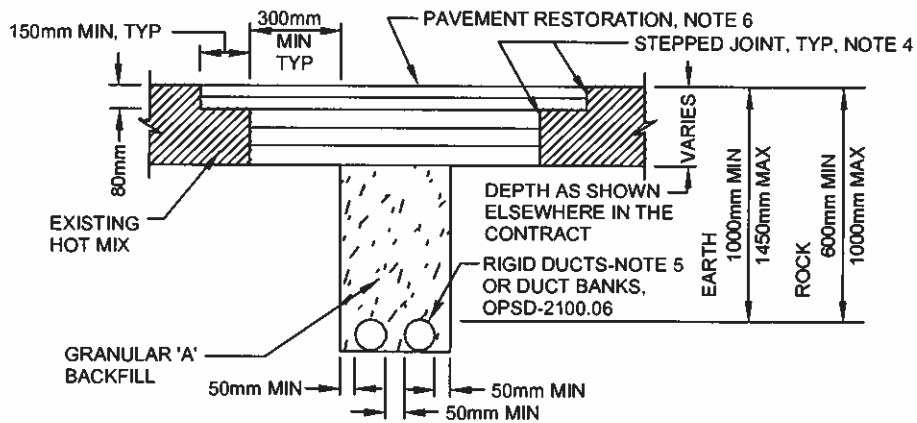


UNDOWELLED TREATMENT, NOTE 2 DOWELLED TREATMENT, NOTE 1
 COMPOSITE OR CONCRETE PAVEMENT



BITUMINOUS PAVEMENT

NOTES:

1. DOWELLED TREATMENT IS ONLY REQUIRED IN EXISTING CONCRETE PAVEMENT OR CONCRETE BASE WHICH CONTAIN LOAD TRANSFER DEVICES. DOWELS SHALL BE 32mm DIA, 450mm LONG, EPOXY COATED, INSTALLED AT 300MM INTERVALS AT MID DEPTH OF THE CONCRETE SLAB, IN PLANE TO THE PAVEMENT SURFACE, PARALLEL TO THE CENTRE LINE OF THE ROAD AND SET 225mm IN 35mm HOLES WITH EPOXY GROUT.
2. UNDOWELLED TREATMENT IS ONLY REQUIRED IN EXISTING CONCRETE PAVEMENT OR CONCRETE BASE WHICH IS CONSTRUCTED WITHOUT LOAD TRANSFER DEVICES AT JOINTS. AGGREGATE INTERLOCK IS CREATED BY CHIPPING THE VERTICAL CONCRETE FACE WITH A LIGHT 15kg MAXIMUM PNEUMATIC HAMMER.
3. THE INITIAL SAW CUT SHALL BE FULL DEPTH. THE SECONDARY SAW CUT SHALL BE 1/4 OF EXISTING PAVEMENT DEPTH WITH 25mm OF CHIPPING FOR AGGREGATE INTERLOCK.
4. WHERE EXISTING PAVEMENT DEPTH IS BETWEEN 80mm AND 120mm THE 150mm WIDE STEPPED JOINT SHALL BE 40MM DEEP.
 BITUMINOUS PAVEMENT RESTORATION TO MATCH EXISTING TYPE UNLESS OTHERWISE SPECIFIED. THE SURFACE AND TOP BINDER COURSES SHALL BE PLACED IN 40MM LIFTS, WITH OTHER LIFTS PLACED AT 80mm MAXIMUM.
6. ALL VOIDS BELOW THE PAVEMENT STRUCTURE TO BE REINSTATED AS PER BSD's.
7. ALL DIMENSIONS ARE IN MILLIMETRES UNLESS OTHERWISE SHOWN.

APPROVED
 DATE June 4/15
[Signature]
 DIRECTOR OF ENGINEERING

City of
BARRIE
 STANDARD DETAIL

ROADWAY LIGHTING DUCT
 INSTALLATION IN EXISTING
 PAVED AREA

REV No. 1 DATE: MAY 2015
 SCALE: N.T.S.

BSD-801