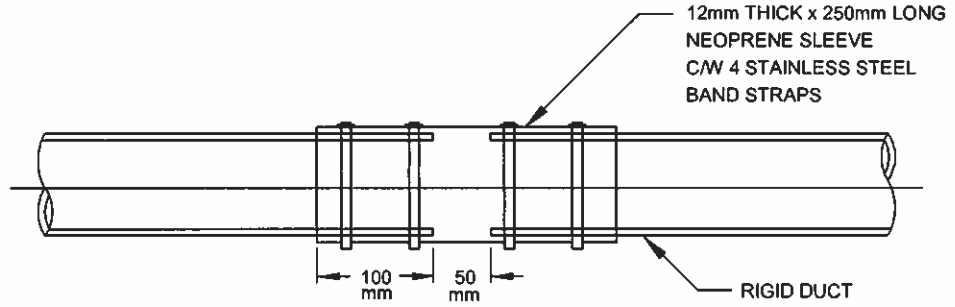


SECTION A-A

PLAN

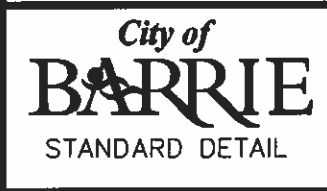


DETAIL A
WOBBLE JOINT

NOTES:

1. CONCRETE STRUCTURES INCLUDE BRIDGE STRUCTURE, CONCRETE FOOTING, ELECTRICAL MAINTENANCE HOLE, CONCRETE DUCT BANK, CONCRETE VAULT, ETC.
2. FOR NUMBER, SIZES AND ORIENTATION OF DUCTS REFER TO CONTRACT DRAWINGS.
3. ALL DIMENSIONS ARE IN MILLIMETRES UNLESS OTHERWISE SHOWN.

APPROVED
 DATE *June 4/15*
[Signature]
 DIRECTOR OF ENGINEERING



UNDERGROUND RIGID
 DUCT CONNECTION AT
 CONCRETE STRUCTURE

REV No. 1
 DATE: MAY 2015
 SCALE: N.T.S.
 BSD-802