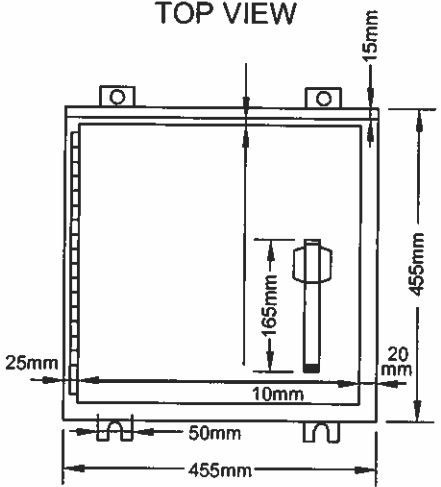
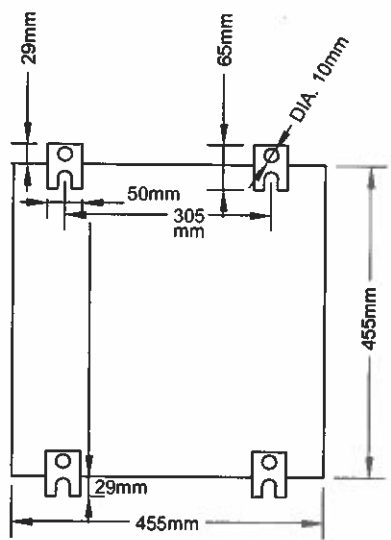


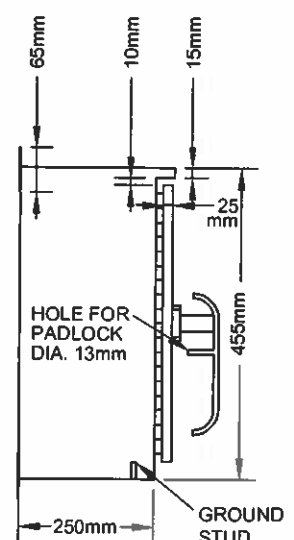
TOP VIEW



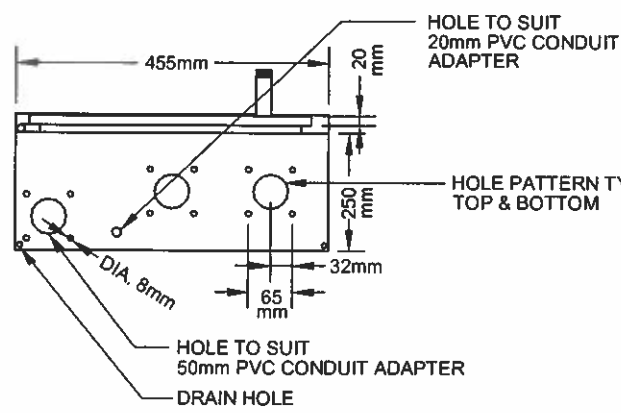
FRONT VIEW



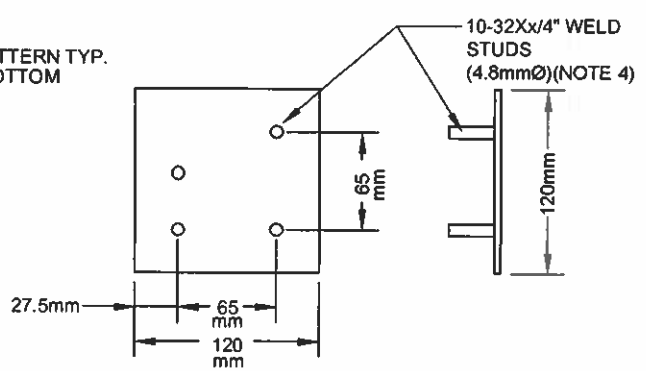
BACK VIEW



SIDE VIEW



BOTTOM VIEW



PLAN VIEW

SIDE VIEW

COVER PLATE DETAIL

- NOTES:
1. ALL PLATES SHALL BE THE SAME SIZE.
 2. BOLT AND HOLE PATTERN TO SUIT METER HUB.
 3. GROUND STUD SHALL BE COMPLETE WITH WASHERS AND NUTS.
 4. COVER PLATE STUDS SHALL BE COMPLETE WITH WASHERS AND NUTS.
 5. ALL DIMENSIONS ARE IN MILLIMETRES WITH TOLERANCES ± 3 mm UNLESS OTHERWISE SHOWN.

APPROVED
 DATE *June 4, 2015*
[Signature]
 DIRECTOR OF ENGINEERING



LS3M SUPPLY CONTROL
 CABINET ASSEMBLY TYPE
 3M ENCLOSURE

REV No. 1
 DATE: MAY 2015
 SCALE: N.T.S.

BSD-813