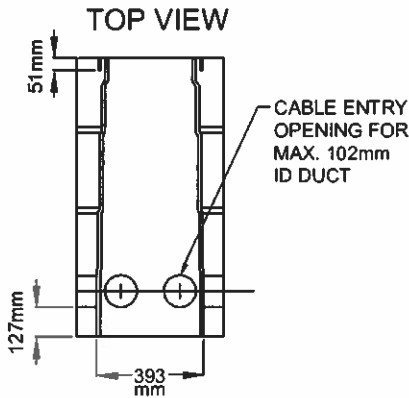
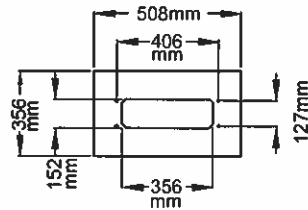
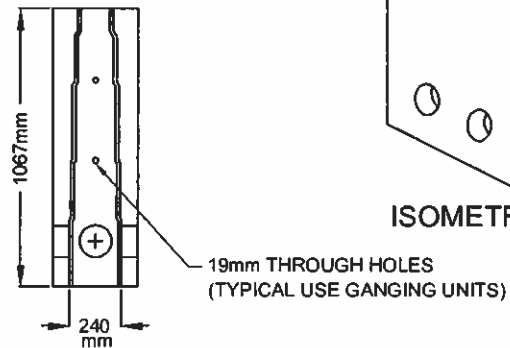


POWER SUPPLY PEDESTAL ASSEMBLY
(PEDESTAL SOLUTIONS INC.) OR
APPROVED EQUIVALENT

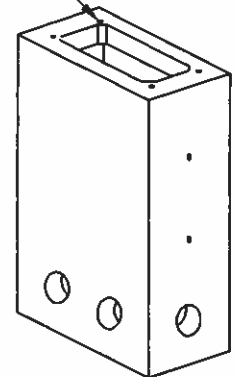


FRONT ELEVATION



SIDE ELEVATION

12.7mm PLASTIC INSERT (TYP.)



ISOMETRIC VIEW

PREFABED CONCRETE BASE (BY BROOKLIN CONCRETE, MODEL BCP 20PED) OR APPROVED EQUIVALENT

NOTES:
1. ALL DIMENSIONS ARE IN MILLIMETRES UNLESS OTHERWISE SHOWN.

APPROVED
DATE *June 4, 2015.*
[Signature]
DIRECTOR OF ENGINEERING

City of
BARRIE
STANDARD DETAIL

POWER SUPPLY (42")
PEDESTAL AND BASE
ASSEMBLY

REV No. DATE: MAY 2015
1 SCALE: N.T.S.

BSD-817