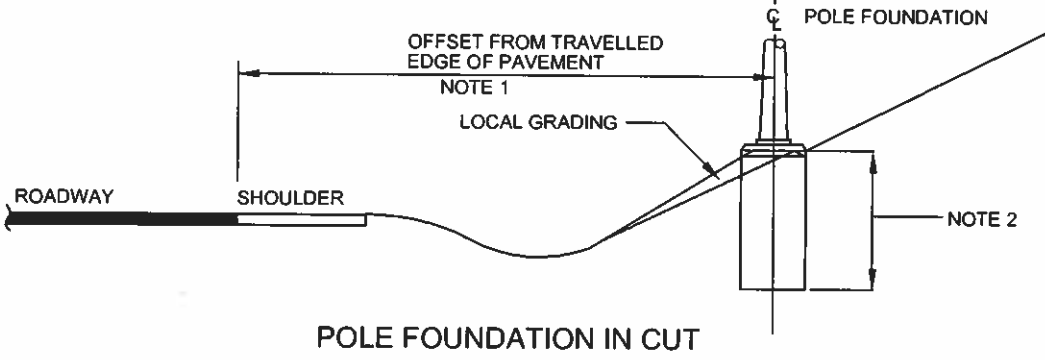
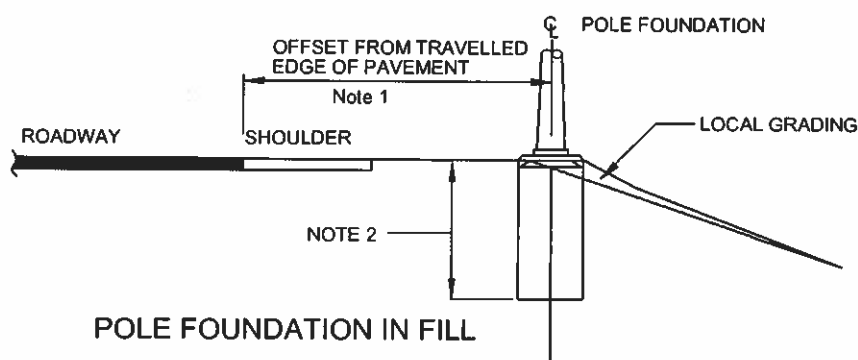


TYPICAL PLAN



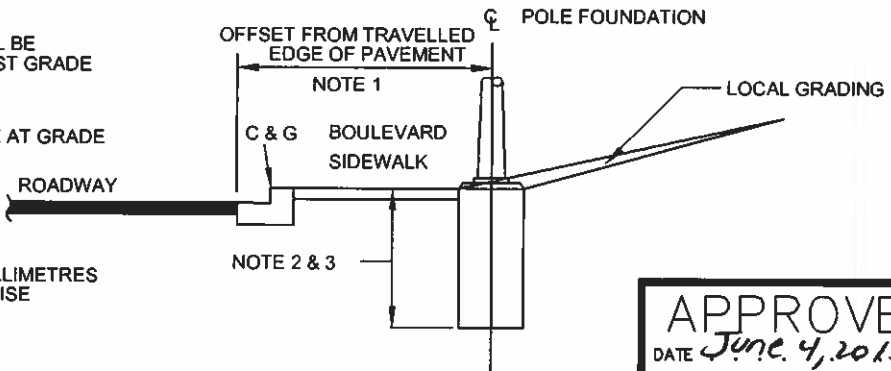
POLE FOUNDATION IN CUT



POLE FOUNDATION IN FILL

NOTES:

- 1. FOR OFFSET AND POLE TYPE, SEE CONTRACT DRAWINGS.
- 2. TOP OF FOUNDATION SHALL BE MEASURED FROM THE HIGHEST GRADE ELEVATION.
- 3. TOP OF FOUNDATION TO BE AT GRADE WITHIN 300MM AF SIDEWALK.



POLE FOUNDATION ADJACENT TO SIDEWALK

4. ALL DIMENSIONS ARE IN MILLIMETRES OR METRES UNLESS OTHERWISE SHOWN.

APPROVED
 DATE *June 4, 2015.*
[Signature]
 DIRECTOR OF ENGINEERING



LOCAL GRADING AT POLE FOUNDATIONS

REV No.	DATE: MAY 2015
1	SCALE: N.T.S.
BSD-824	