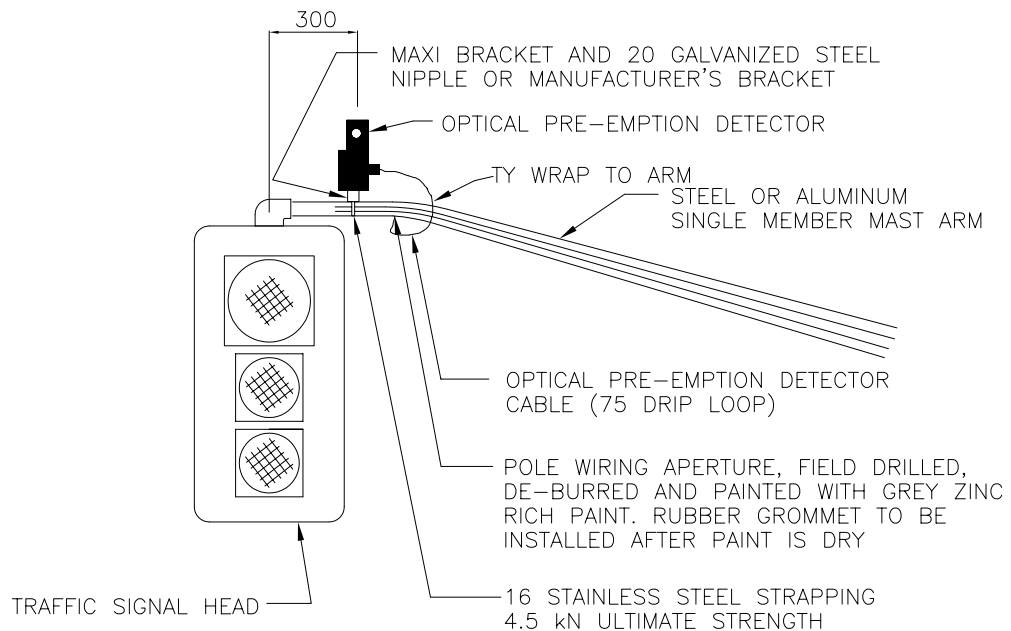


POLE MOUNTING



MAST ARM MOUNTING

NOTES:

1. ALL DIMENSIONS ARE IN MILLIMETRES UNLESS OTHERWISE SHOWN.

CITY OF BARRIE STANDARD					APR'D: S.R.A.	DATE: JULY 2002
	INSTALLATION DETAIL FOR OPTICAL PRE-EMPTION DETECTOR				DRAWN: S.ROSE	SCALE: N.T.S.
					BSD TS-13	
NO.	REVISION	APR'D	DATE			