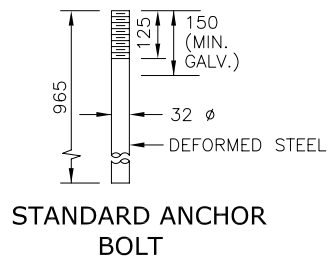
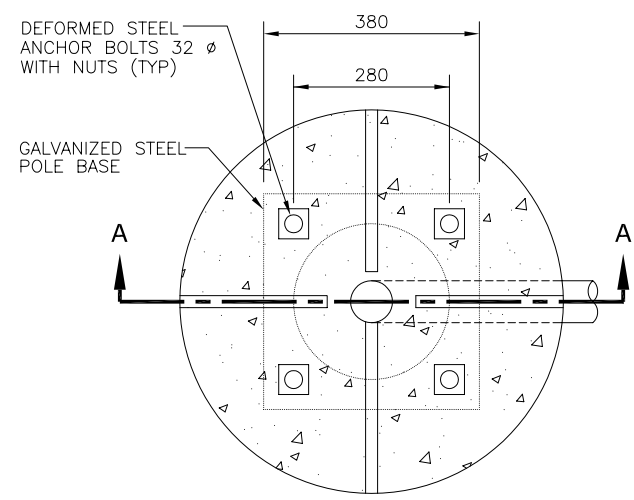


SECTION A - A



STANDARD ANCHOR BOLT



TOP VIEW

- NOTES:
1. ALL DIMENSIONS ARE IN MILLIMETRES UNLESS OTHERWISE SHOWN.
 2. THE CONTRACTOR SHALL VERIFY THE BOLT PATTERN WITH POWCO STEEL
 3. ANCHOR BOLTS ARE INTERMEDIATE GRADE STEEL, MIN. LOAD 30,840 kg C.S.A. G.30.1

CITY OF BARRIE STANDARD				APR'D: S.R.A.	DATE: JULY 2002
600mm Dia. POLE BASE TO FIT 6.1m POWCO STEEL POLE IN MEDIAN ISLAND				DRAWN: S.ROSE	SCALE: N.T.S.
				BSD TS-1B	
NO.	REVISION	APR'D	DATE		