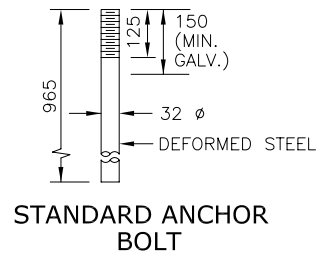
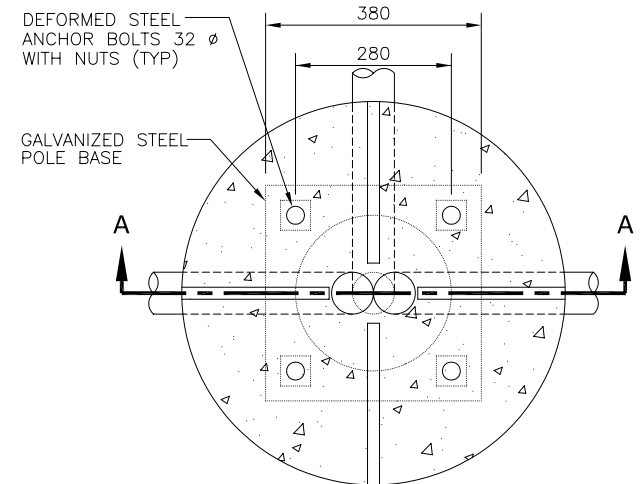


SECTION A - A



STANDARD ANCHOR BOLT



TOP VIEW

NOTES:

1. ALL DIMENSIONS ARE IN MILLIMETRES UNLESS OTHERWISE SHOWN.
2. THE CONTRACTOR SHALL VERIFY THE BOLT PATTERN WITH POWCO STEEL
3. EITHER ONE OR TWO RIGID CONDUITS MAY BE REQUIRED DEPENDING UPON THE BASE LOCATION IN THE CONDUIT NETWORK.
4. ANCHOR BOLTS ARE INTERMEDIATE GRADE STEEL, MIN. LOAD 30,840 kg C.S.A. G.30.1

CITY OF BARRIE STANDARD				APR'D: S.R.A.	DATE: JULY 2002
762mm Dia. POLE BASE TO FIT 6.1m, 7.3m & 9.1m POWCO STEEL POLE				DRAWN: S.ROSE	SCALE: N.T.S.
				<b>BSD TS-1C</b>	
NO.	REVISION	APR'D	DATE		