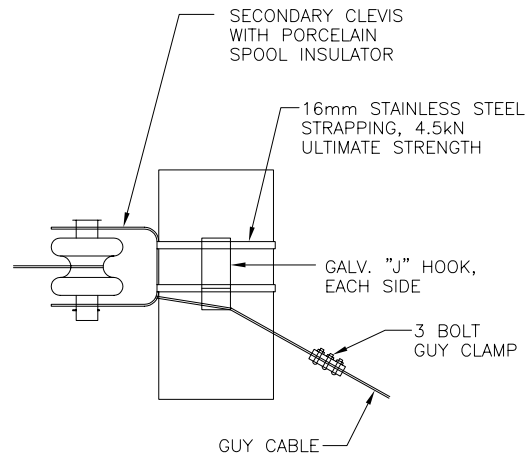
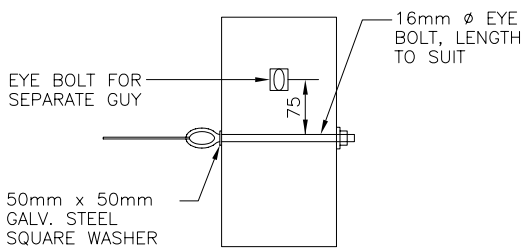


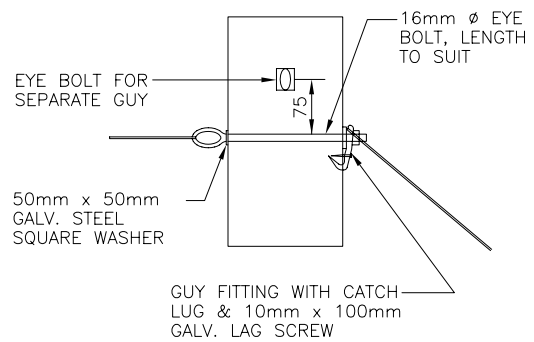
**AERIAL CABLE ATTACHMENT DETAIL
STEEL OR CONCRETE POLE**



**AERIAL CABLE ATTACHMENT DETAIL
STEEL OR CONCRETE POLE
WITH BACK GUY**



**AERIAL CABLE ATTACHMENT DETAIL
WOOD POLE**



**AERIAL CABLE ATTACHMENT DETAIL
WOOD POLE WITH BACK GUY**

NOTES:

1. ALL DIMENSIONS ARE IN MILLIMETRES UNLESS OTHERWISE SHOWN.
2. NO HOLES ARE TO BE DRILLED IN THE STEEL OR CONCRETE POLES FOR THE ATTACHMENT OF AERIAL CABLES

NO.	REVISION	APR'D	DATE

CITY OF BARRIE STANDARD

APR'D: S.R.A. DATE: JULY 2002

DRAWN: S.ROSE SCALE: N.T.S.

AERIAL CABLE ATTACHMENT DETAIL

**BSD
TS-4**