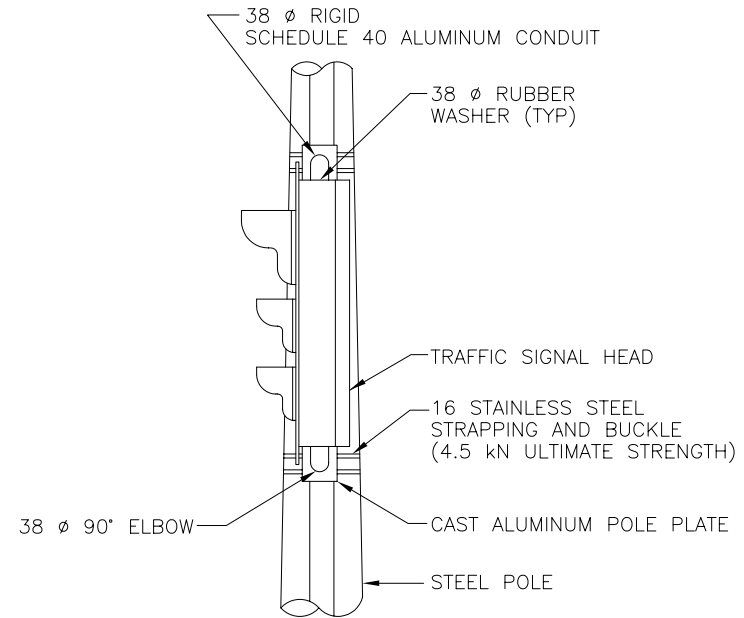


**TYPICAL TRAFFIC SIGNAL HEAD  
(FRONT MOUNTING)  
DETAIL "A"**



**TYPICAL TRAFFIC SIGNAL HEAD  
(SIDE MOUNTING)  
DETAIL "B"**

**NOTES:**

1. ALL DIMENSIONS ARE IN MILLIMETRES UNLESS OTHERWISE SHOWN.
2. TRAFFIC SIGNAL HEADS ARE TO BE MOUNTED A MINIMUM OF 5.0m ABOVE THE PAVEMENT. WHEN SPECIAL HEADS ARE SPECIFIED AND THE MINIMUM CANNOT BE OBTAINED, THE HEADS ARE TO BE MOUNTED AT THE MAXIMUM HEIGHT POSSIBLE.

<b>CITY OF BARRIE STANDARD</b>					APR'D: S.R.A.	DATE: JULY 2002
	<b>TRAFFIC SIGNAL HEAD VERTICAL BRACKET MOUNTING DETAIL</b>				DRAWN: S.ROSE	SCALE: N.T.S.
					<b>BSD TS-7</b>	
	NO.	REVISION	APR'D	DATE		