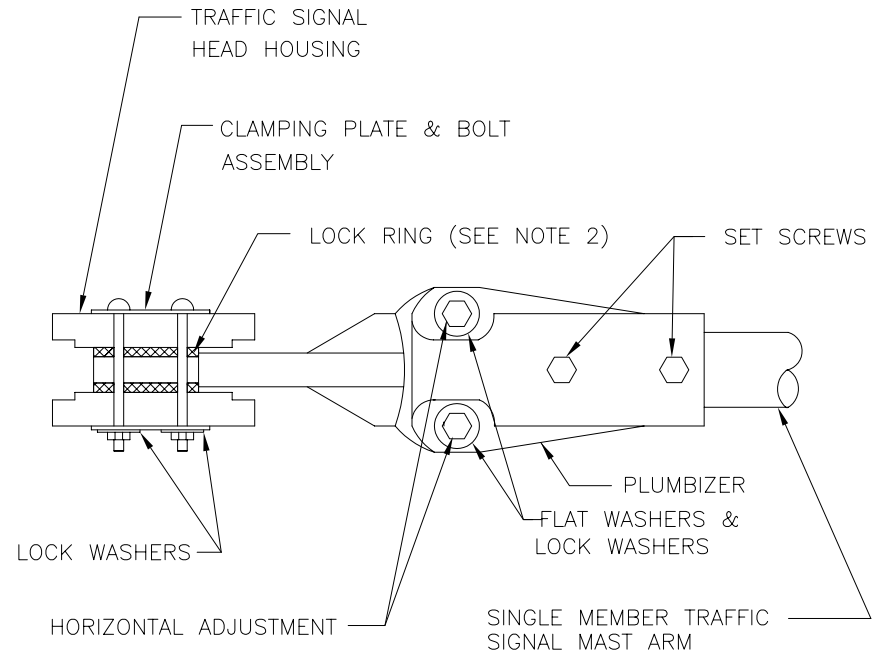


FRONT VIEW



ATTACHMENT

NOTES:

1. ALL DIMENSIONS ARE IN MILLIMETRES UNLESS OTHERWISE SHOWN.
2. LOCK RING OR ADAPTER RING SHALL BE USED WITH HEADS WITHOUT INTEGRALLY CAST MATCHING SERRATIONS. RINGS ARE TO BE OF BRASS OR BRONZE, WITH SUFFICIENT CONTACT AREA TO COVER FLANGE ON SIGNAL HOUSING.
3. THE PLUMBIZER IS TO BE INSTALLED BETWEEN THE RED AND AMBER SECTIONS OF THE TRAFFIC SIGNAL HEAD, UNLESS OTHERWISE SPECIFIED.

CITY OF BARRIE STANDARD					APR'D: S.R.A.	DATE: JULY 2002
ELEVATOR PLUMBIZER ATTACHMENT DETAIL					DRAWN: S.ROSE	SCALE: N.T.S.
	NO.	REVISION	APR'D	DATE	BSD TS-8	