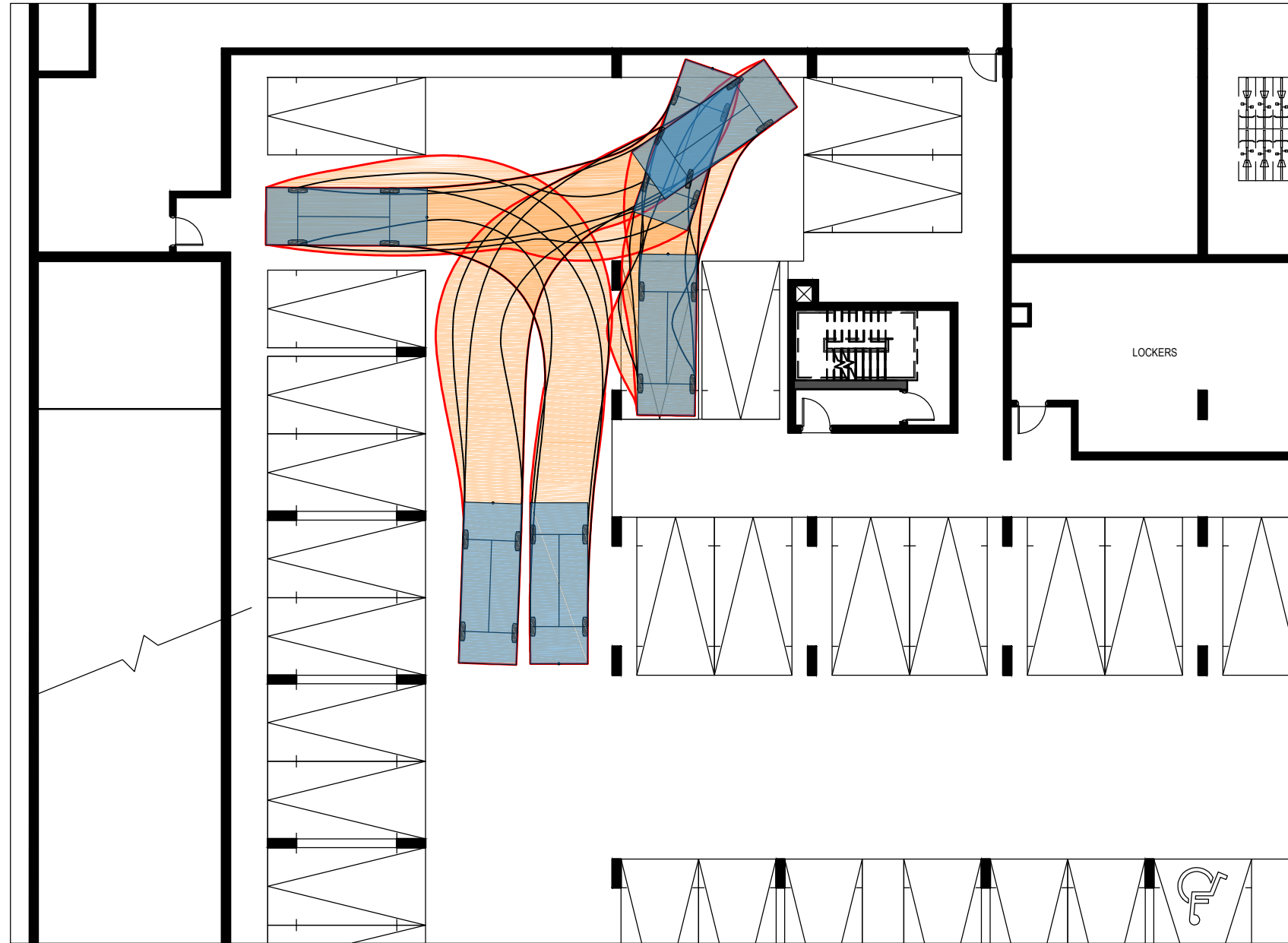
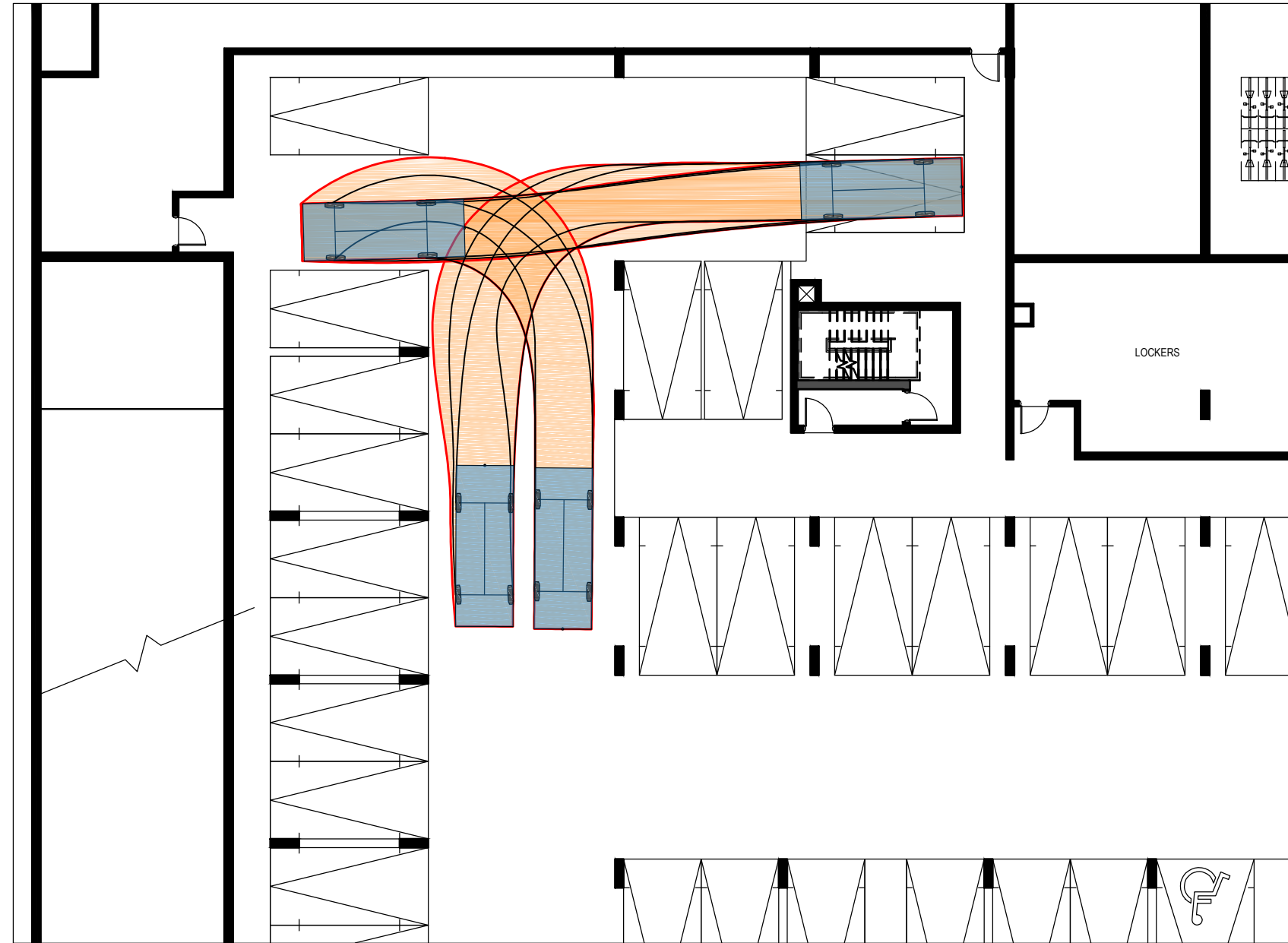


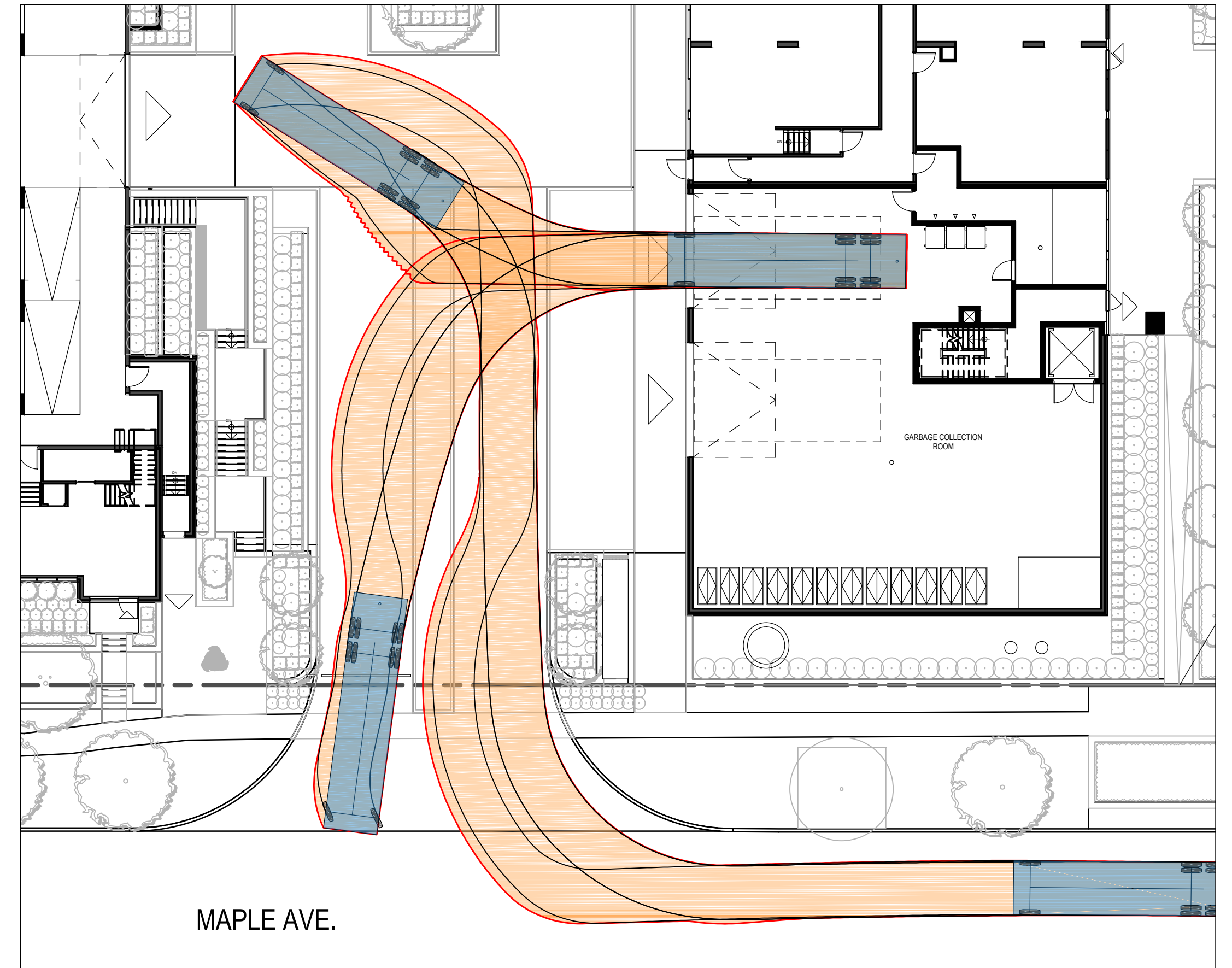
DESIGN VEHICLE - TAC PASSENGER VEHICLE



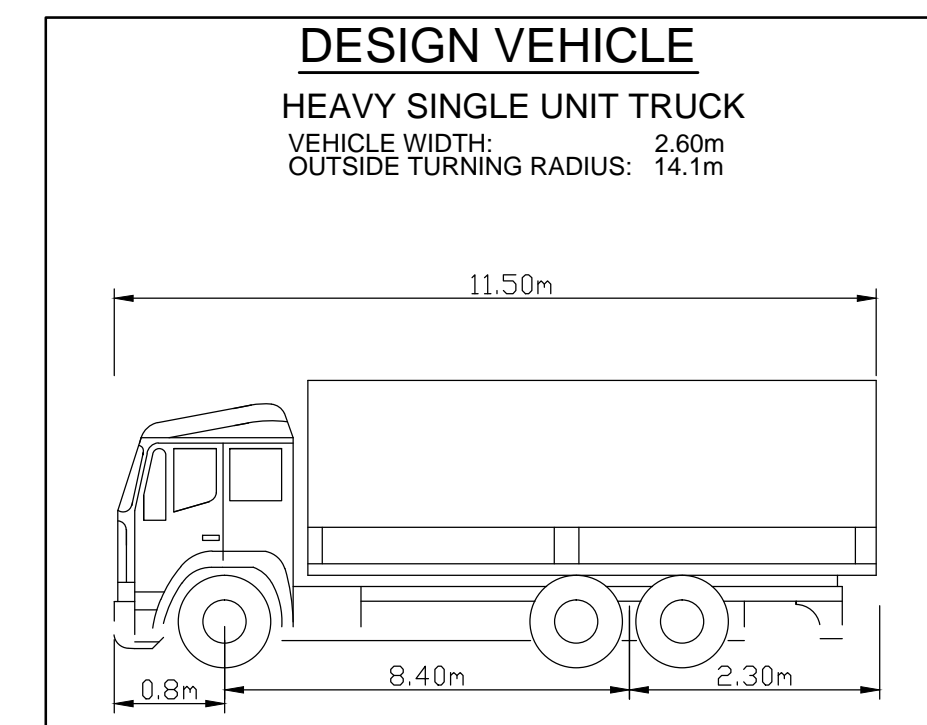
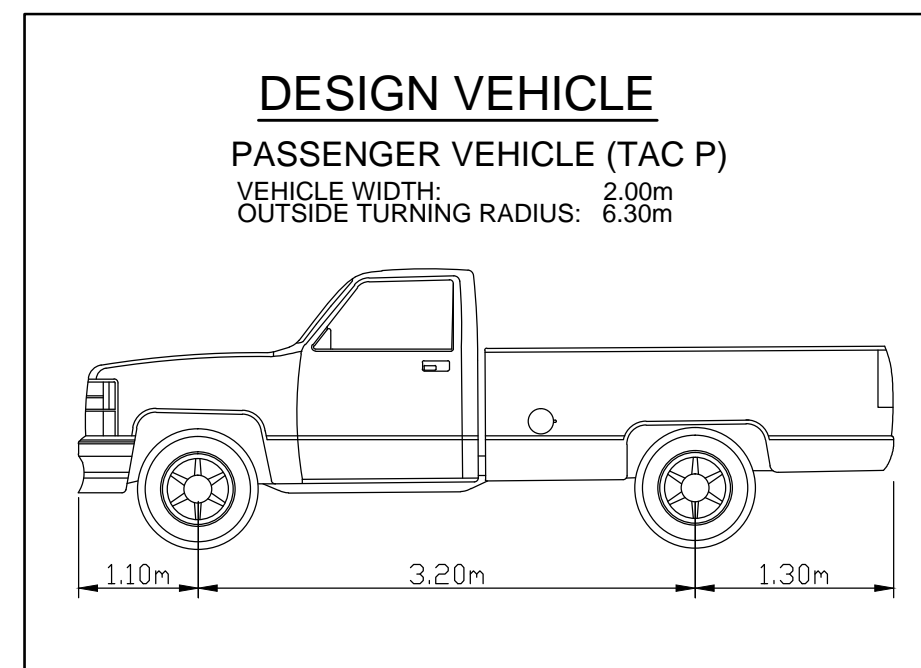
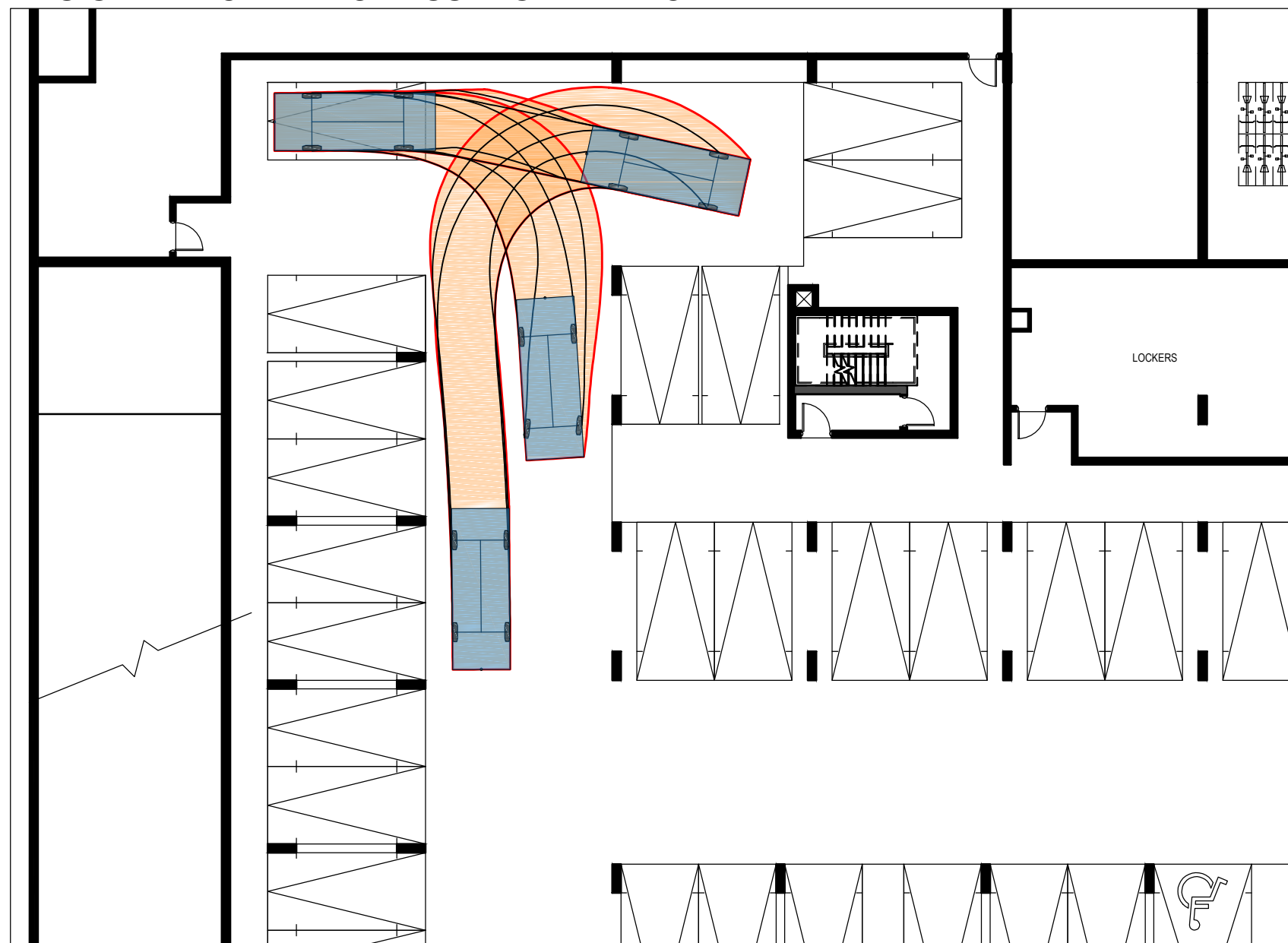
DESIGN VEHICLE - TAC PASSENGER VEHICLE



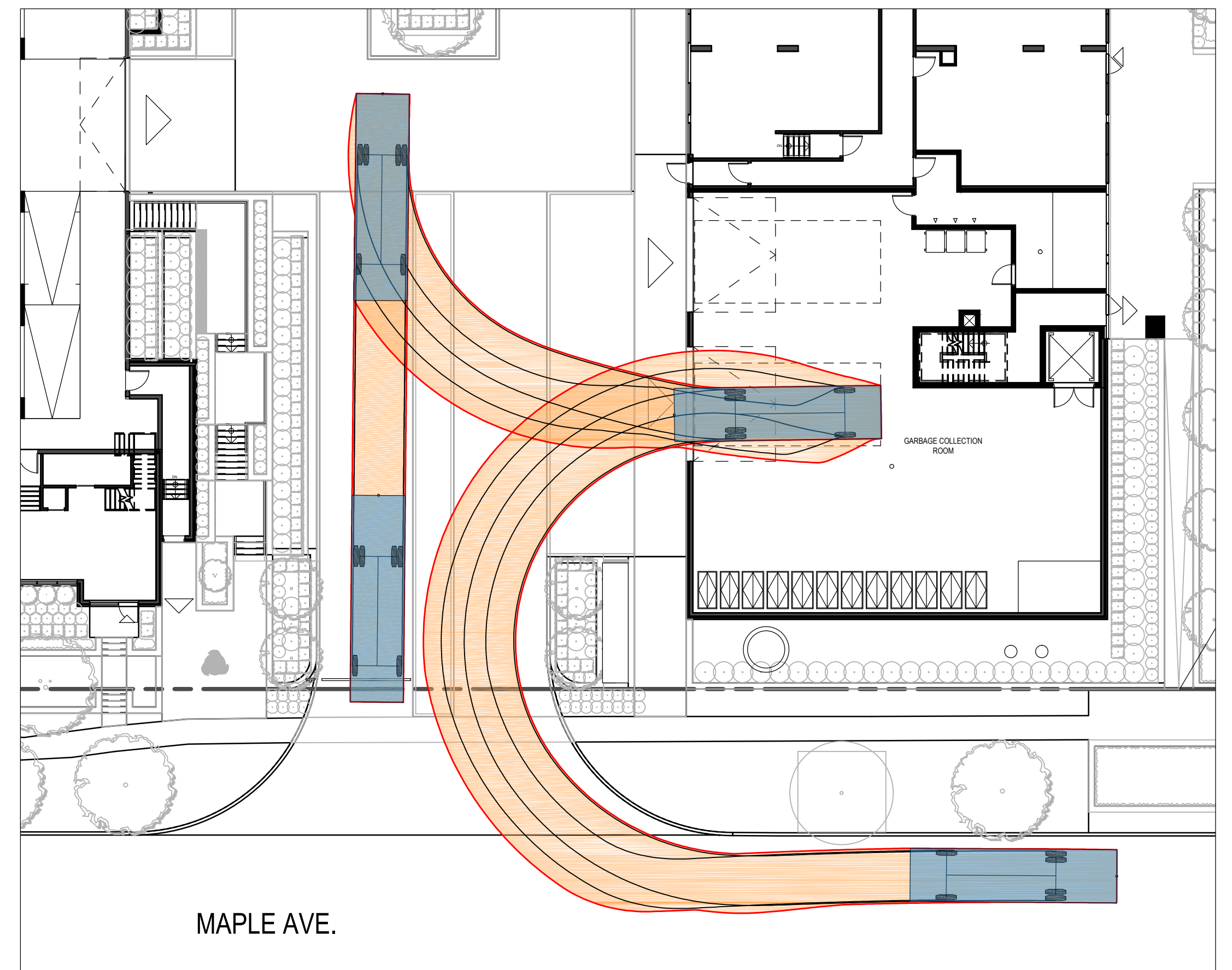
DESIGN VEHICLE - HEAVY SINGLE UNIT TRUCK



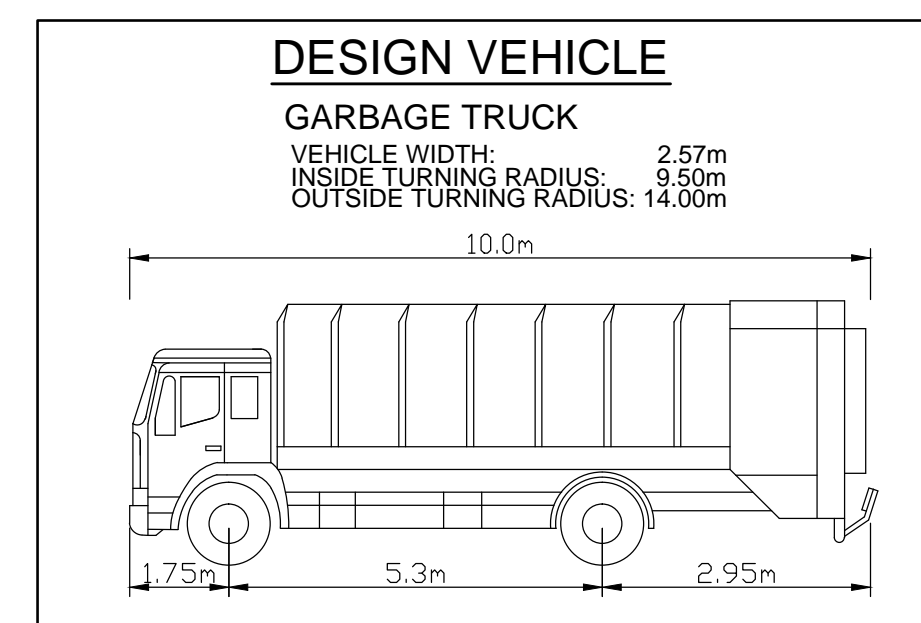
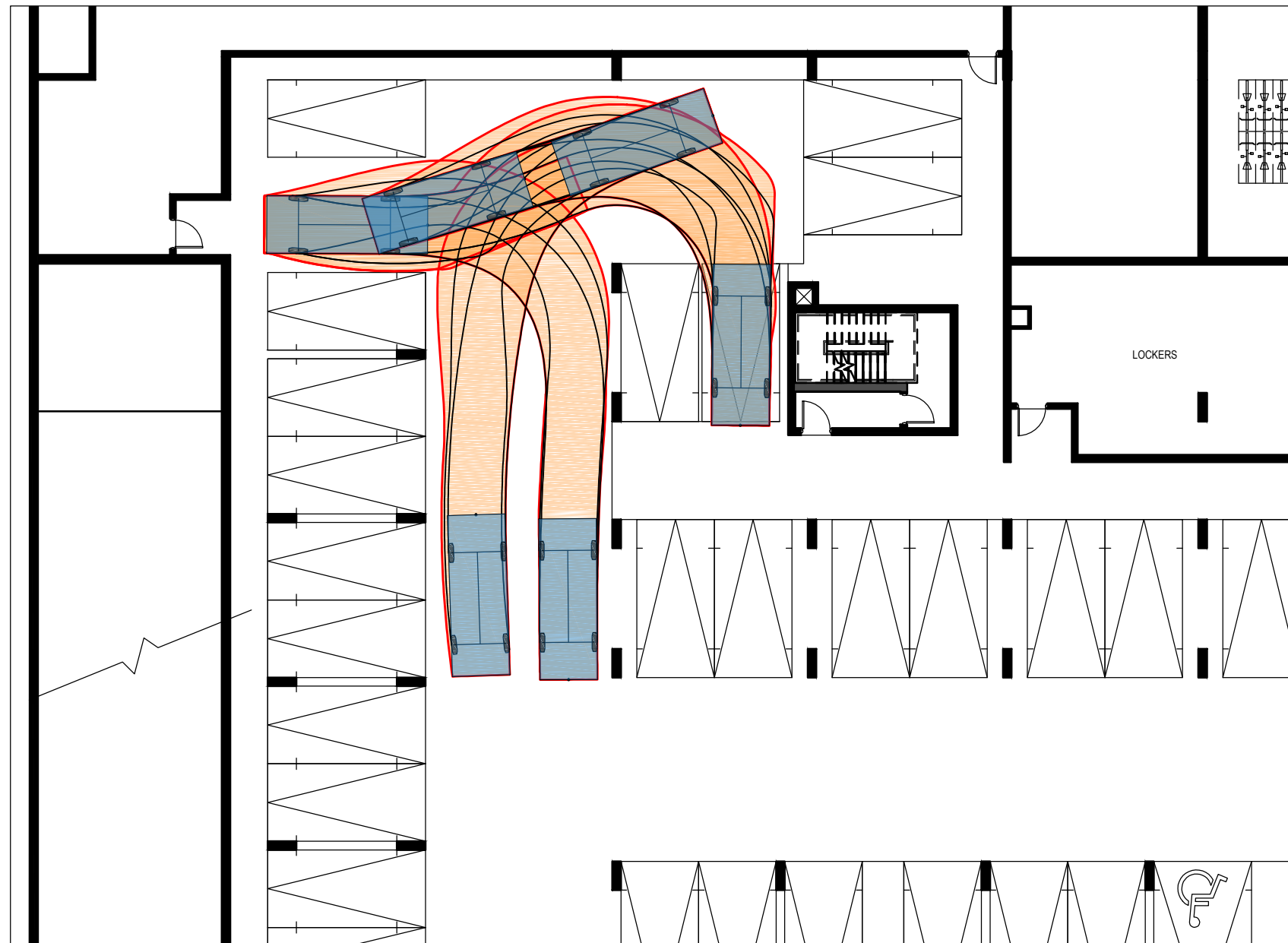
DESIGN VEHICLE - TAC PASSENGER VEHICLE



DESIGN VEHICLE - FRONT LOAD GARBAGE TRUCK



DESIGN VEHICLE - TAC PASSENGER VEHICLE



GENERAL NOTES
1. THIS DRAWING IS NOT INTENDED FOR CONSTRUCTION.
2. DO NOT SCALE DRAWINGS.
3. THE DRAWINGS ARE THE PROPERTY OF JD ENGINEERING AND MUST BE RETURNED ON COMPLETION OF THE PROJECT.
4. BASE DRAWING PROVIDED BY ONESPACE UNLIMITED INC. ON MARCH 19, 2020.

NO.	DATE	APPROVED	REVISIONS
1.	MAY 2020	JN	ZONING AND SPA

JD Northcote Engineering Inc.
Phone: 705.725.4035
86 Cumberland Street
Barrie, ON L4N 2P6
www.JDEngineering.ca



AREA MUNICIPALITY
CITY OF BARRIE

136 BAYFIELD STREET

VEHICLE TURNING MOVEMENT ANALYSIS
GROUND FLOOR

DESIGN: JN	DATE: 03/20
DRAWN: JN	DATE: 03/20
REVIEWED: JN	DATE: 03/20
SCALE HOR: 1:200	SCALE VERT: N/A
SHEET NO. 19114 - TURN A	