

SITE PLAN - LIGHTING

SCALE: 1:200

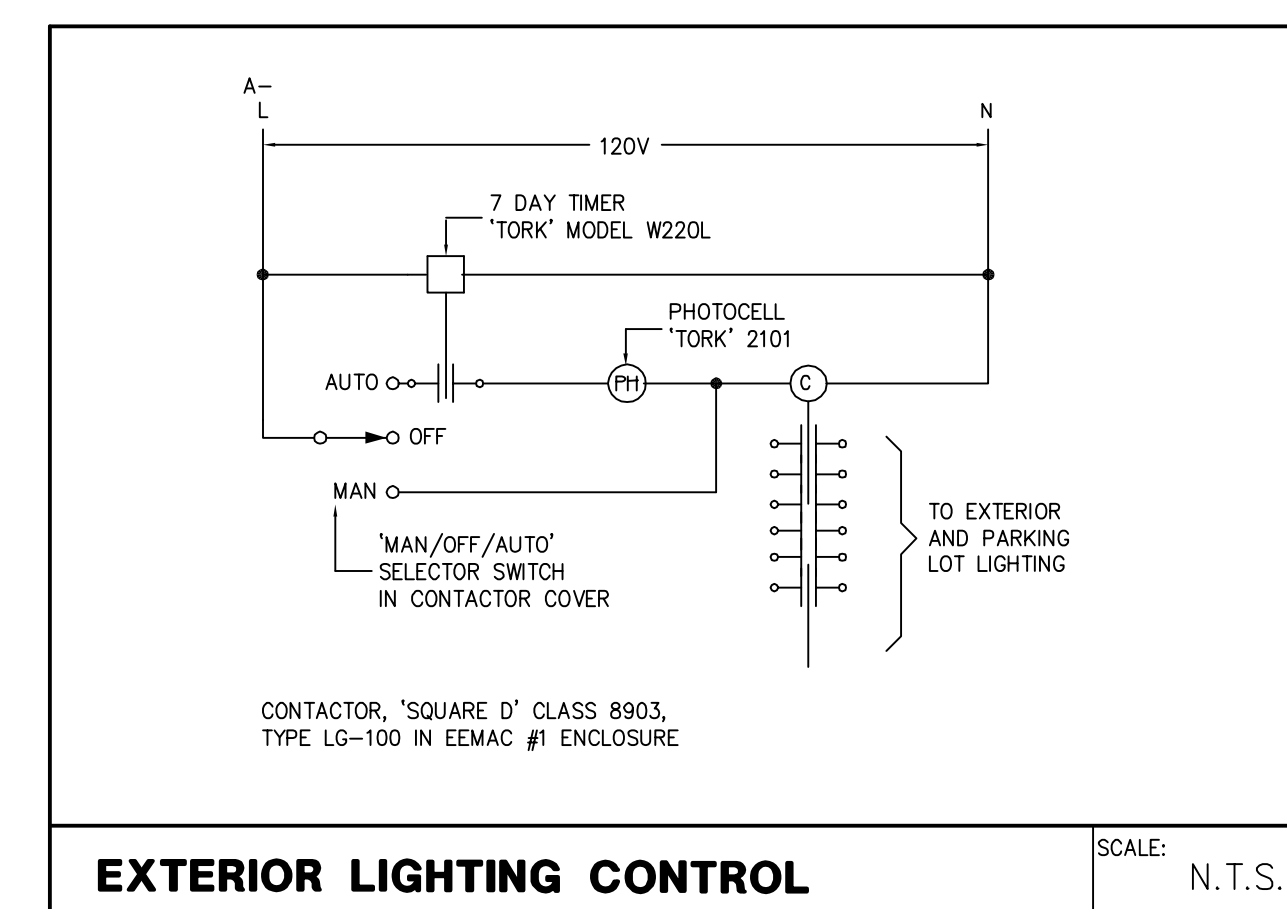
NOTE: NO LIGHT FIXTURES SUBSTITUTION WITHOUT THE APPROVAL OF ELECTRICAL CONSULTANT.

Symbol	Label	Qty	Manufacturer	Catalog Number	Description	Number lamp	Lumens Per Lamp	Light Loss Factor	Wattage	Comment
	L2	5	LuxLogic Lighting Inc.	AL-ST-S-70L-T3-40K-VOL-FIN (See notes below for pole details)	STEALTH AREA LIGHT 60W T3 4000K 80+CRI	1	5800	0.5	60	

NOTE:

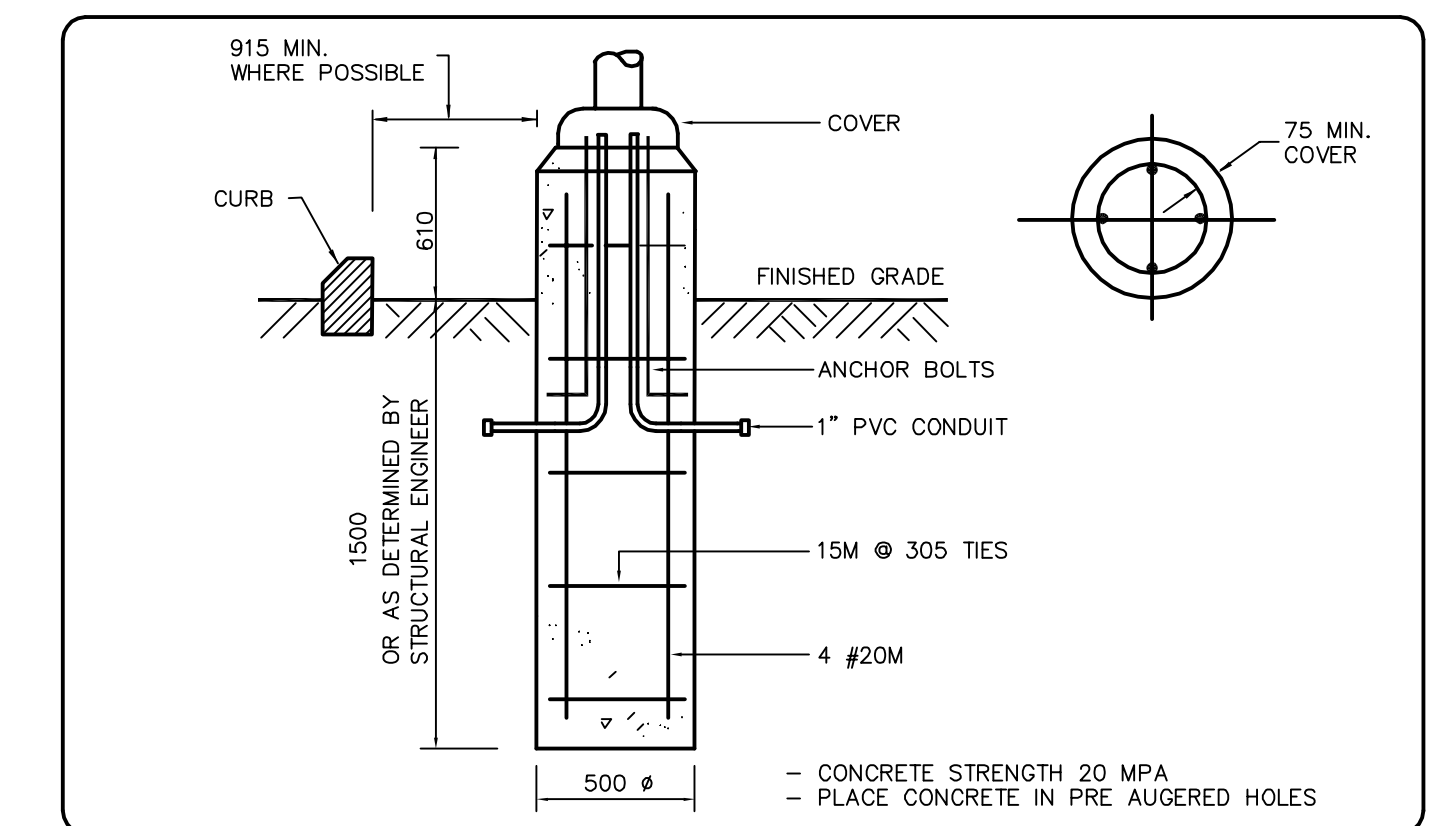
1. Type L2 Assembly—Pole—10' FH—SS—AB—c/w 6" Horizontal Tenon.
2. Cement Base. See detail for Concrete Base.
3. All poles to be anchor bolt mounting.
4. Standard color to be advised.
5. Voltage 120volt.

Description	Symbol	Avg	Max	Min	Avg/Min
Calc Zone #1	+	8.3 Lux	62.9 Lux	0.0 Lux	N/A
Calc Zone #2 (COPY)	+	0.1 Lux	0.2 Lux	0.0 Lux	N/A
Calc Zone #4	+	0.0 Lux	0.2 Lux	0.0 Lux	N/A
Calc Zone #5	+	0.1 Lux	0.2 Lux	0.0 Lux	N/A



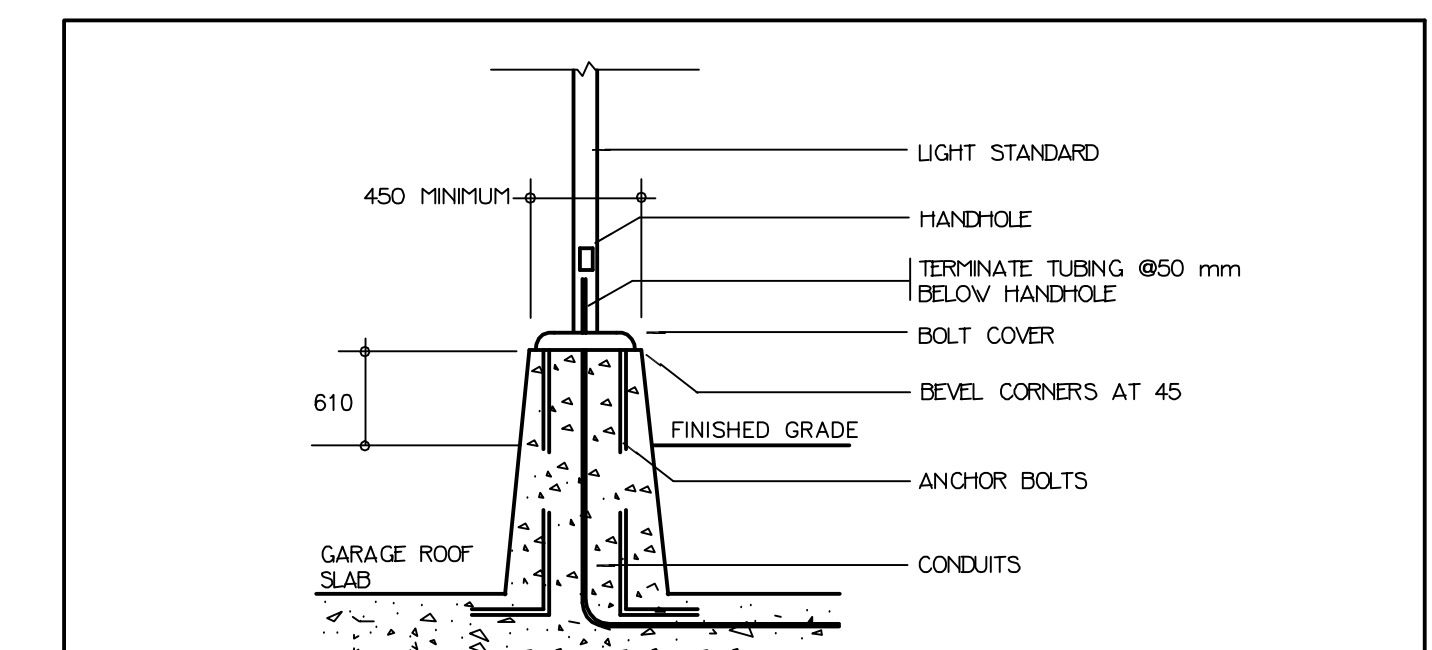
EXTERIOR LIGHTING CONTROL

SCALE: N.T.S.



LIGHTING POLE BASE ON GRADE

SCALE: N.T.S.



BASE FOR POLE ON GARAGE SLAB

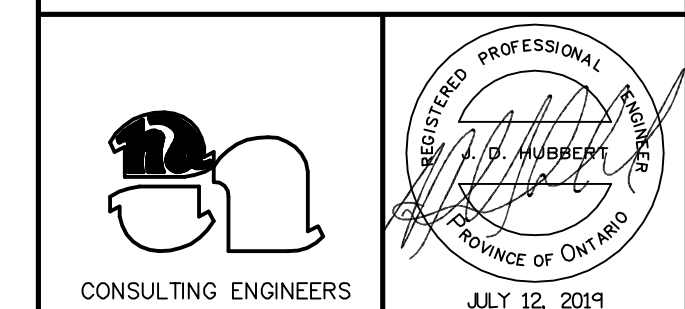
SCALE: N.T.S.

DATE	NO.	DESCRIPTION	BY
SEPT. 26 2019	-	GENERAL REVISION	H
JULY 17 2019	-	ISSUED FOR PERMIT	H

MARK VOID ALL PRINTS DATED PREVIOUS TO FINAL DATE ABOVE

REVISIONS

CONTRACTOR MUST CHECK AND VERIFY ALL DIMENSIONS AND CONDITIONS ON THE JOB AND REPORT DISCREPANCIES TO THE ENGINEERS BEFORE PROCEEDING WITH WORK. THIS DRAWING IS THE PROPERTY OF THE ENGINEERS AND MUST BE RETURNED ON COMPLETION OF THE WORK. DRAWINGS ARE NOT TO BE SCALED



J. D. Hubbert & Associates
 179 NORTH CARSON STREET
 ETOBICOKE, ONTARIO M9W 4E3, CANADA
 TEL: (416) 251-3440
 E-MAIL: jdhub@don.olin.com

SITE PLAN - LIGHTING

ELECTRICAL
 PROJECT TITLE
THE BEACON CONDOMINIUMS
 368-376 ESSA ROAD
 BARRIE, ONTARIO

DRAWN BY	CHECKED BY	SCALE
AG	JDH	AS NOTED
DATE	PROJECT NUMBER	DRAWING NUMBER
JULY/2019	9-9079	E-1