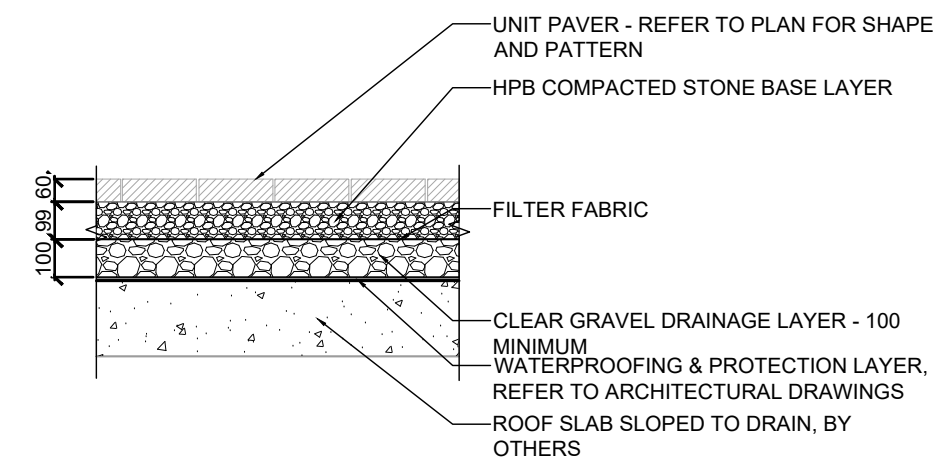
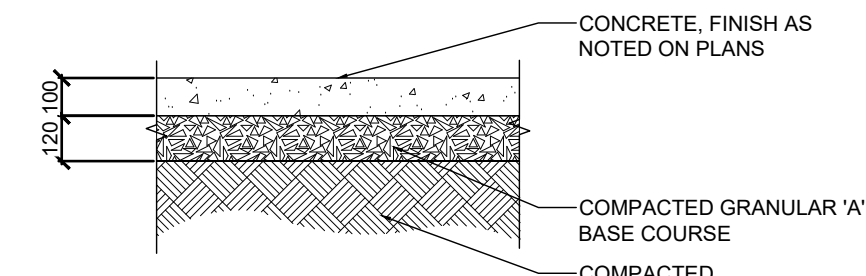


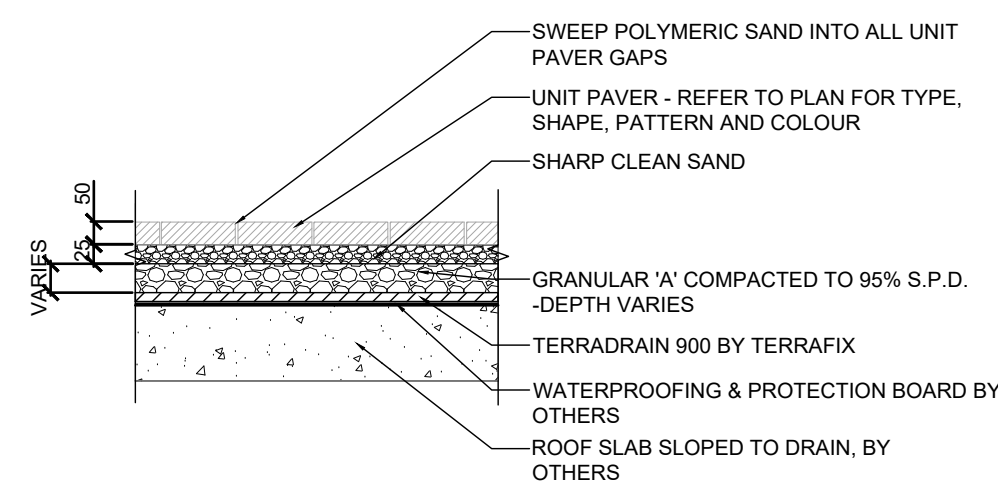
1 UNIT PAVER SECTION
NTS



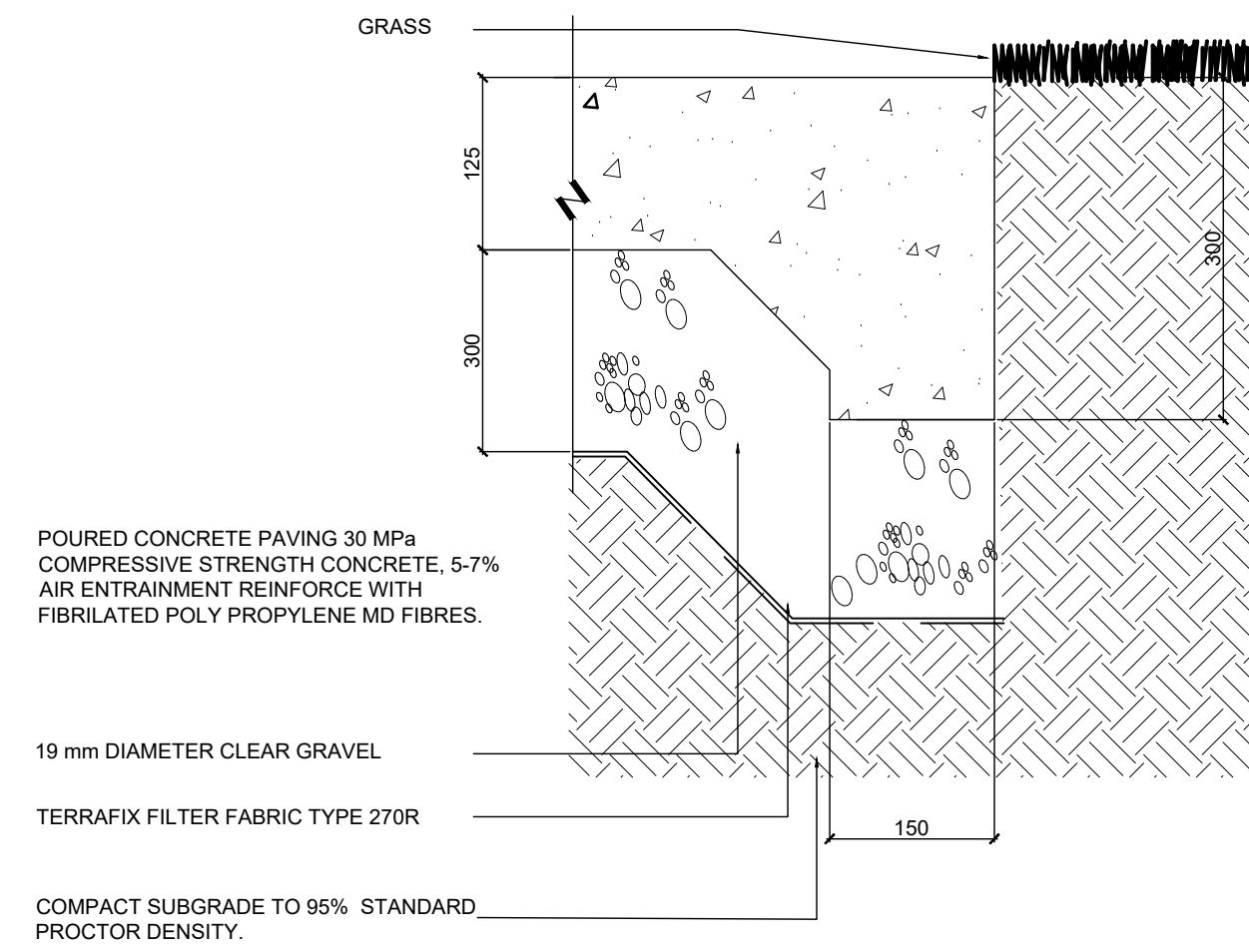
2 UNIT PAVER ON SLAB
NTS



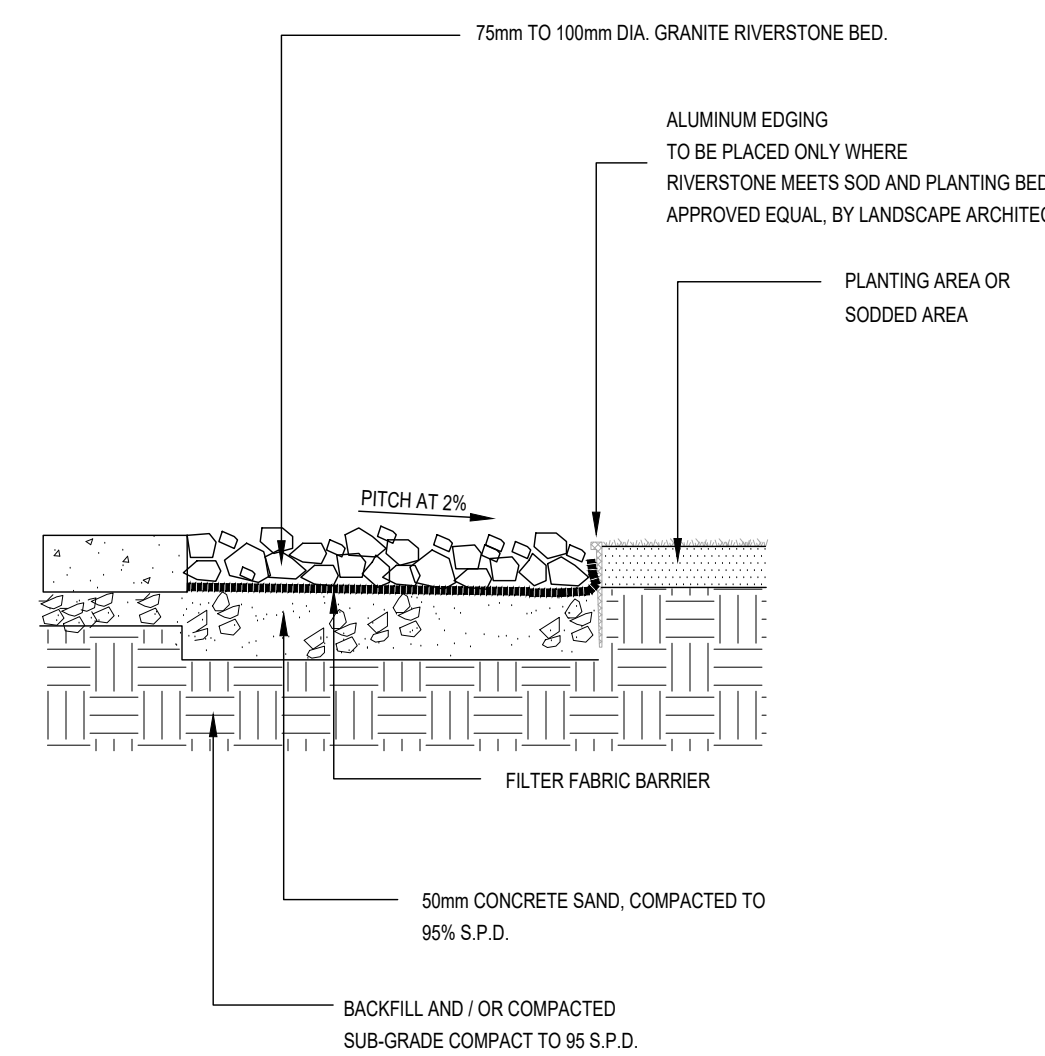
3 CONCRETE PAVING
NTS



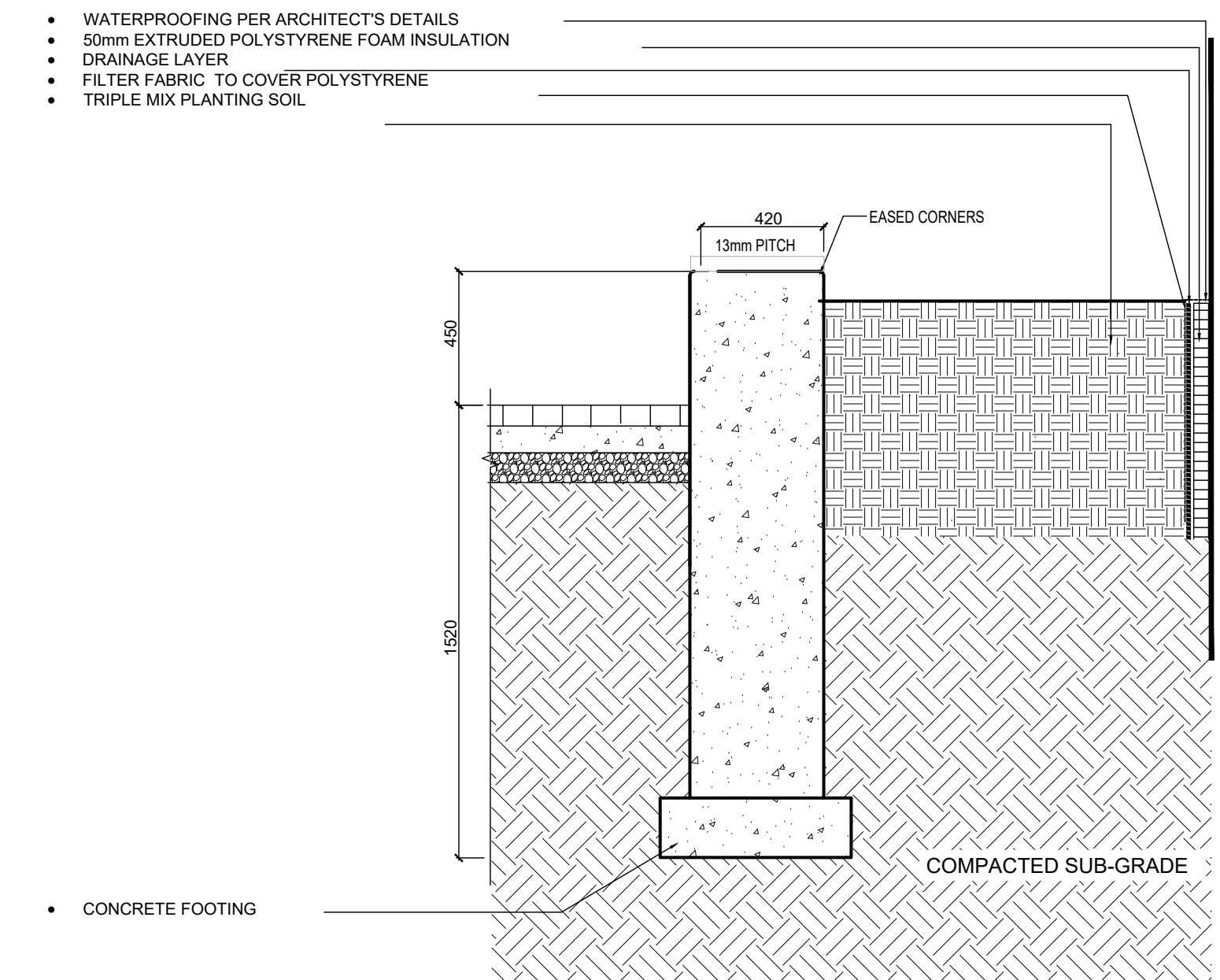
4 UNIT PAVER ON AMENITY ROOF SLAB
N.T.S.



5 DOWN-TURN EDGING
NTS



6 RIVERSTONE
NTS

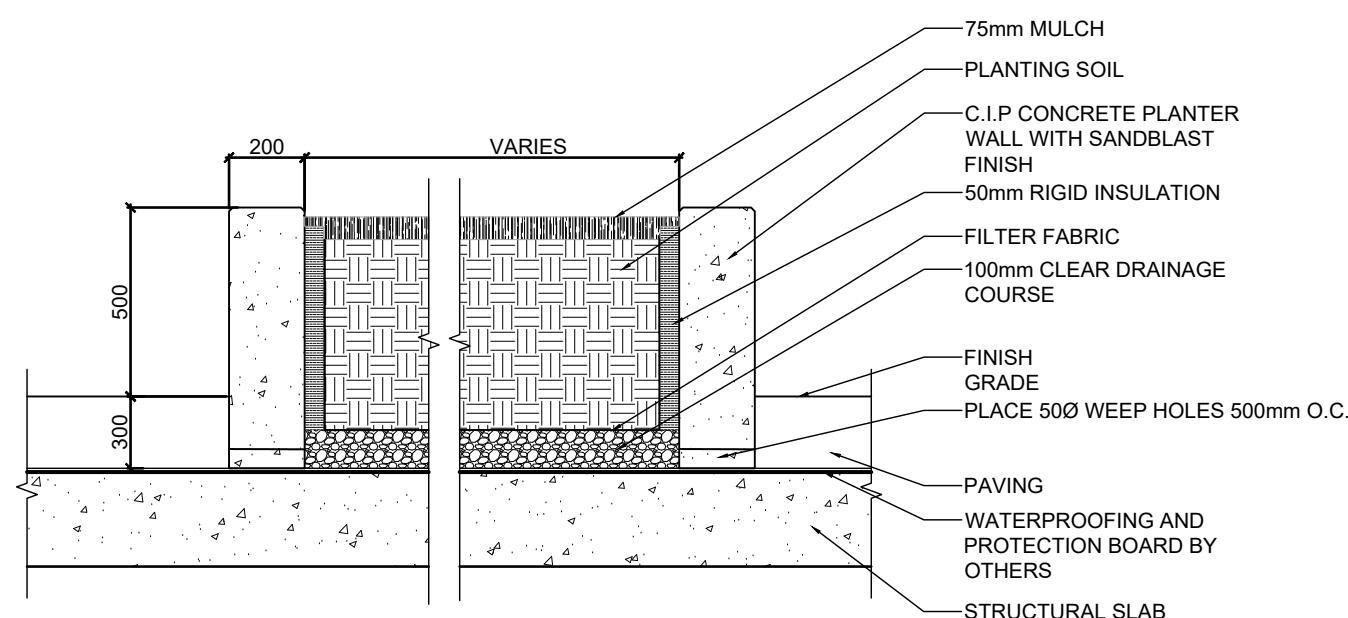


7 SEAT WALL AT BUILDING FACE
NTS

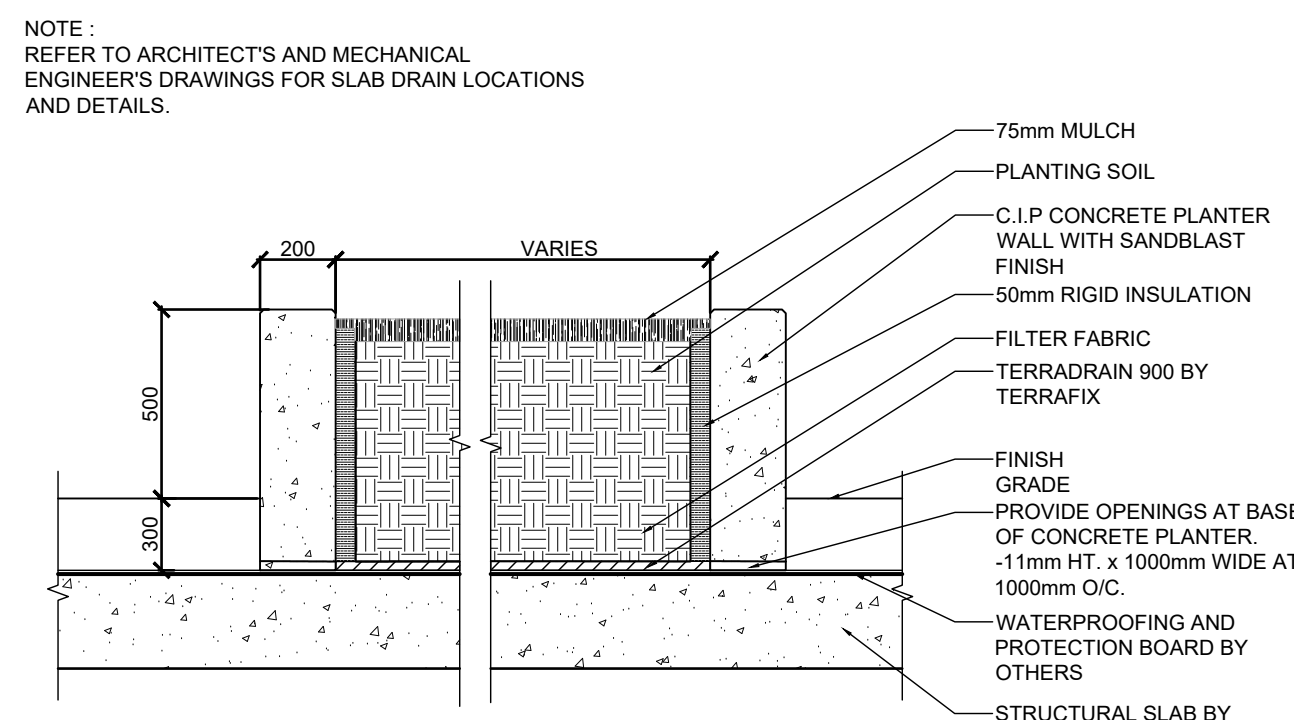
DOWN-TURN IN CONCRETE FOR EDGE TREATMENT

P-2017-17.145-57

P-2017-17.145-51



8 PLANTER ON SLAB
NTS

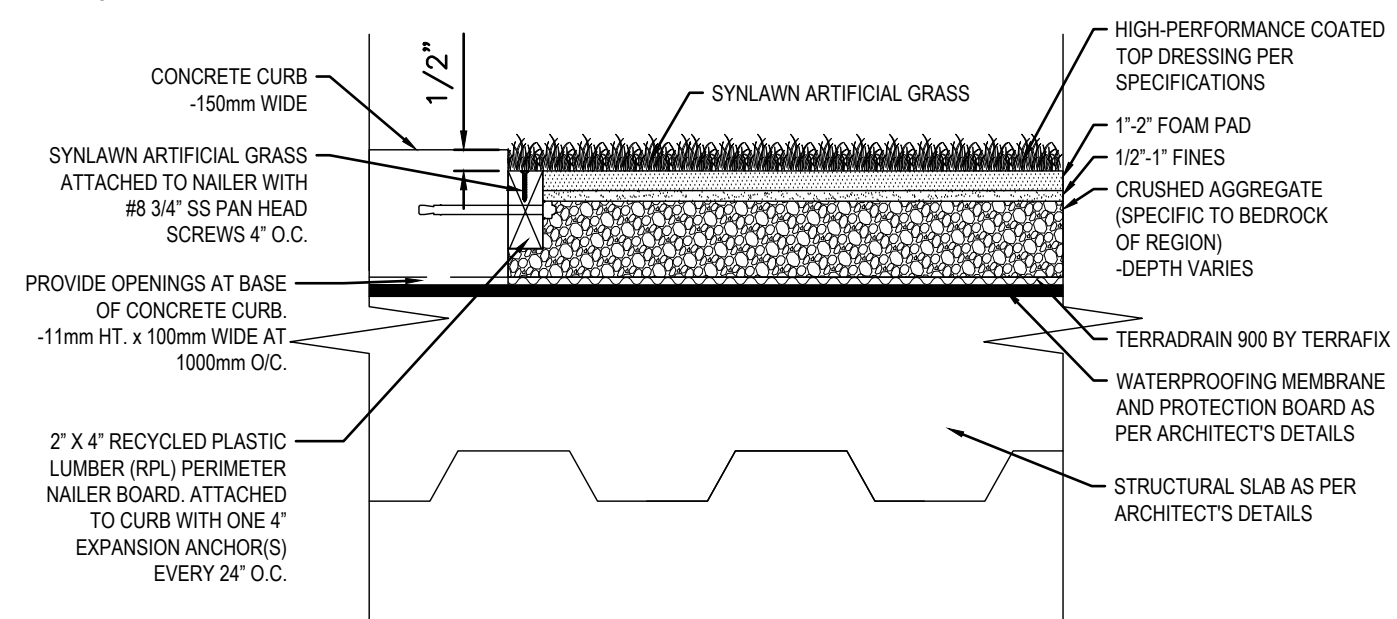


9 PLANTER ON SLAB AT AMENITY AREA
N.T.S.

NOTE:
INSTALL AS PER MANUFACTURER'S SPECIFICATIONS AND DETAILS.
REFER TO ARCHITECT'S AND MECHANICAL ENGINEER'S DRAWINGS FOR SLAB DRAIN LOCATIONS AND DETAILS.



SYNLAWN
2680 ABUTMENT ROAD SE
DALTON, GA 30721
TOLL FREE: 1-866-SYNLAWN
FAX: (706) 277-1128
www.synlawn.com



SECTION VIEW

- NOTES:
1. THE GRASS MUST BE INSTALLED AND SEALED WITH ADJACENT PIECES RUNNING IN THE SAME DIRECTION. SEAMS SHOULD BE GLUED WITH SUITABLE SEAMING GLUE AND SEAMING CLOTH, NOT ADHESIVE TAPE.
 2. INSTALLATION TO BE COMPLETED IN ACCORDANCE WITH SPECIFICATIONS BY FACTORY AUTHORIZED INSTALLERS.
 3. DO NOT SCALE DRAWINGS
 4. CONTRACTORS NOTE: FOR PRODUCT AND COMPANY INFORMATION VISIT www.CADdetails.com/info REFERENCE NUMBER 1437-560.

ROOFDECK SYSTEM

SYNLAWN ROOFDECK SYSTEM ON FOAM PAD AGGREGATE W/ PERIMETER BOARD

10 ARTIFICIAL TURF WITH FLUSH CONCRETE CURB
N.T.S.

no.	revision	date	by
09	ISSUED FOR SITE PLAN REVIEW	2019-08-06	TL
08	ISSUED FOR CONTRACTOR REVIEW	2019-03-04	TL
07	REISSUED FOR SITE PLAN REVIEW	2018-05-01	CL
06	REISSUED FOR SITE PLAN REVIEW	2018-04-13	CL
05	RE-ISSUED FOR ELECTRA'S REVIEW	2018-04-09	CL
04	REISSUED FOR SITE PLAN REVIEW	2018-03-20	CL
03	REISSUED FOR SITE PLAN REVIEW	2017-12-15	CL
02	ISSUED FOR REVIEW	2017-11-24	CL
01	ISSUED FOR SITE PLAN REVIEW	2017-09-21	CL

CONTRACTOR MUST VERIFY ALL DIMENSIONS ON THE JOB AND REPORT ANY DISCREPANCY TO THE LANDSCAPE ARCHITECT BEFORE PROCEEDING WITH THE WORK.
ALL DRAWINGS AND SPECIFICATIONS ARE INSTRUMENTS OF SERVICE AND THE PROPERTY OF THE LANDSCAPE ARCHITECT WHICH MUST BE RETURNED AT THE COMPLETION OF THE WORK.
ALL DRAWINGS TO BE USED FOR CONSTRUCTION ONLY WHEN SIGNED BY THE LANDSCAPE ARCHITECT.

signed _____ date _____

K:\01\New\010\BOL\BPLANTE\01017\010\145\100\145.dwg, 2/19/2019

20 Champain Blvd, Suite 102 - Toronto ON - M3H 2Z1
info@terraplan.ca www.terraplan.ca



One Urban Developments Inc.
28 Rivalda Road Toronto,
Ontario M9M 2M3 Canada

CLIENT

430 ESSA ROAD
BARRIE, ONTARIO

PROJECT

PAVING DETAILS

DRAWING
DRAWN: CAL
CHECKED: CL + PM
SCALE: NTS
DATE: 2017-09-21
PROJECT NO.: 17-145

LD-102

SHEET NO.: