

- ALL CALIPER TREE PLANTING SHALL HAVE A MINIMUM 600mm DIAMETER ROOT BALL.
- CUT AND REMOVE ALL WIRE, ROPE AND BURLAP FROM THE TOP 150mm OF THE ROOT BALL AT THE TIME OF PLANTING.
- FOR POORLY DRAINED OR COMPACTED SOILS THE ROOT BALL SHALL BE PLACED SO THAT THE ROOT COLLAR IS A MAXIMUM OF 100mm ABOVE THE FINISHED GRADE. FOR ALL OTHER INSTALLATIONS THE ROOT COLLAR SHALL BE AT OR 50mm ABOVE FINISHED GRADE.
- ALL TREES WITHIN 3.0m OF A SIDEWALK OR DRIVEWAY MUST ALSO HAVE A COORDINATED INSTALLATION OF AN APPROVED ROOT BARRIER INSTALLED IN ADDITION TO THE TREE FOR ALL STREETSCAPE APPLICATIONS.
- ALL TWINE AND BURLAP MUST BE BIODEGRADABLE (UNTREATED).
- ALL DIMENSIONS ARE IN MILLIMETRES UNLESS OTHERWISE NOTED.

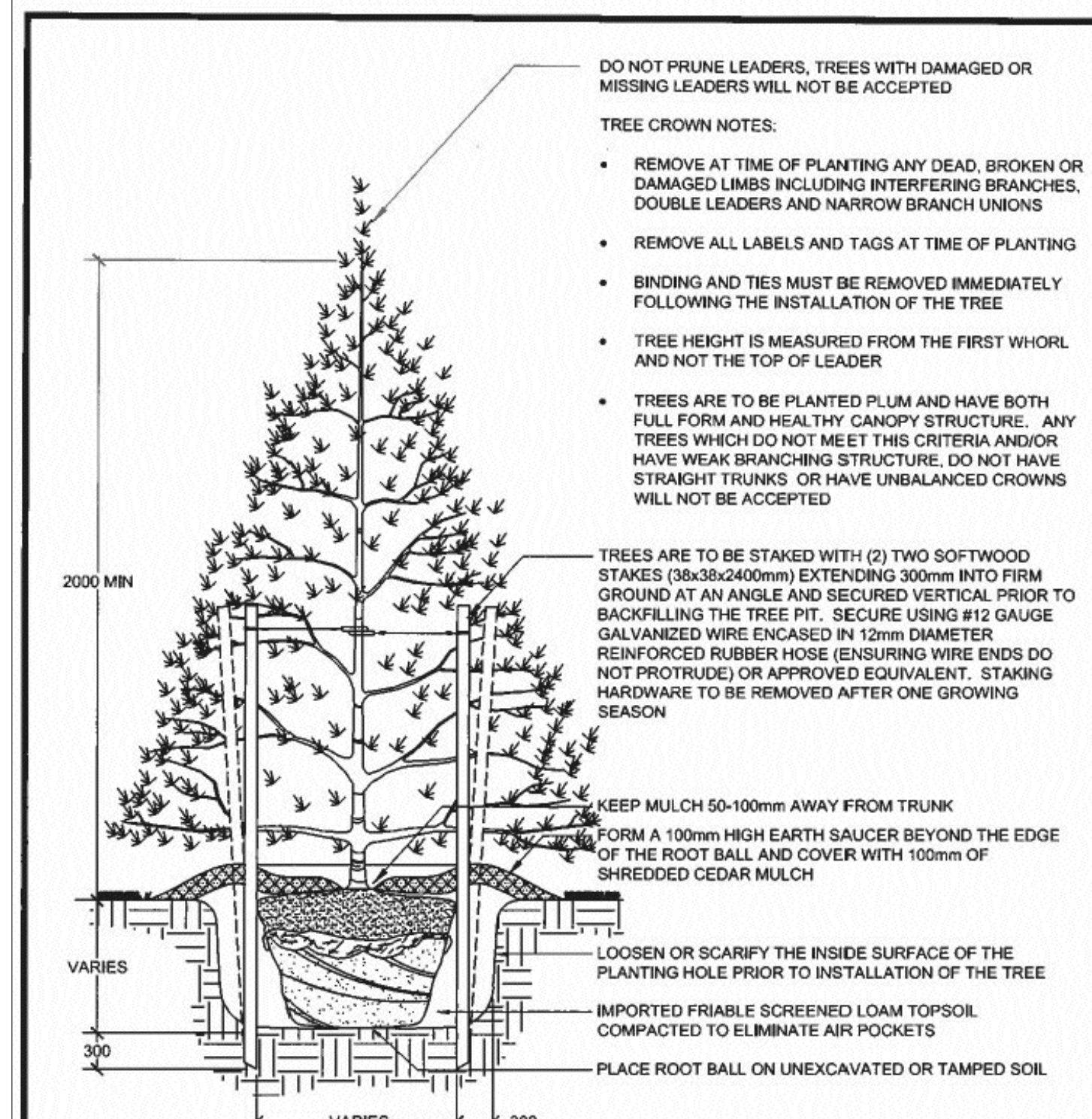
APPROVED
DATE: June 11/15
JMU
DIRECTOR OF ENGINEERING

The City of BARRIE STANDARD DETAIL

DECIDUOUS TREE PLANTING DETAIL

REV No. 4 DATE: JUNE 2015 SCALE: N.T.S.

BSD-1310 FORMERLY BSD-29



- ALL CONIFEROUS TREE PLANTING SHALL HAVE A MINIMUM 600mm DIAMETER ROOT BALL.
- CUT AND REMOVE ALL WIRE, ROPE AND BURLAP FROM THE TOP 150mm OF THE ROOT BALL AT THE TIME OF PLANTING.
- FOR POORLY DRAINED OR COMPACTED SOILS THE ROOT BALL SHALL BE PLACED SO THAT THE ROOT COLLAR IS A MAXIMUM OF 100mm ABOVE THE FINISHED GRADE. FOR ALL OTHER INSTALLATIONS THE ROOT COLLAR SHALL BE AT OR 50mm ABOVE FINISHED GRADE.
- ALL TWINE AND BURLAP MUST BE BIODEGRADABLE (UNTREATED).
- ALL DIMENSIONS ARE IN MILLIMETRES UNLESS OTHERWISE NOTED.

APPROVED
DATE: June 11/15
JMU
DIRECTOR OF ENGINEERING

The City of BARRIE STANDARD DETAIL

CONIFEROUS TREE PLANTING DETAIL

REV No. 4 DATE: JUNE 2015 SCALE: N.T.S.

BSD-1312 FORMERLY BSD-30



GENERAL NOTES

CONTRACTOR IS RESPONSIBLE FOR ALL LOCATES INCLUDING ALL UNDERGROUND SERVICES PRIOR TO ANY EXCAVATION OR INSTALLATIONS. THE CONTRACTOR IS REQUIRED TO NOTIFY THE VARIOUS UTILITY COMPANIES 48 HOURS PRIOR TO THE COMMENCEMENT OF ANY WORK.

ANY ACCOMPANYING DOCUMENTATION RELATING TO THE LANDSCAPE PLAN AND/OR PRESERVATION PLAN SUCH AS TENDER DOCUMENTS AND CHANGE NOTICES ARE TO BE ENDORSED BY JOHN D. BELL ASSOCIATES LIMITED PRIOR TO THE BEGINNING OF ANY SITE WORKS. IN THE EVENT THAT OF A DISCREPANCY THE DRAWING SHALL BE ASSUMED CORRECT.

IT IS THE RESPONSIBILITY OF THE PERSON OR PERSONS RESPONSIBLE FOR THE CONSTRUCTED WORKS TO NOTIFY JOHN D. BELL ASSOCIATES WHEN PREPARED FOR ANY REQUIRED INSPECTIONS AND SIGN-OFFS.

SCHEDULED MEETINGS SHALL TAKE PLACE AT THE CLOSEST MUTUALLY CONVENIENT TIME.

No.	REVISION	DATE	APRVD.
1.	CLIENT REVIEW	Dec. 12, 2019	ST
2.	SUBMITTED TO THE CITY OF BARRIE	Feb. 25, 2020	ST
3.	AS PER CITY OF BARRIE COMMENTS	June 15, 2020	ST
4.	AS PER CITY OF BARRIE COMMENTS	November 25, 2020	ST

BASE INFORMATION PROVIDED BY: J.D. BARNES Ltd. 560 Blythe Dr., Barrie, ON

BASE PLAN OBTAINED: January 2018

ALL DRAWINGS AND SPECIFICATIONS ARE INSTRUMENTS OF SERVICE AND ARE THE PROPERTY OF JOHN D. BELL ASSOCIATES LIMITED. DRAWINGS ARE NOT TO BE MODIFIED OR REPRODUCED WITHOUT THE WRITTEN CONSENT OF JOHN D. BELL ASSOCIATES LIMITED. REPRODUCTION OF DRAWINGS IN ANY FORM WITHOUT THE CONSENT OF JOHN D. BELL ASSOCIATES LIMITED VIOLATES THE DRAWING AT WHICH TIME JOHN D. BELL ASSOCIATES LIMITED ACCEPTS NO LIABILITY FOR THE DRAWING CONTENT OR WORKS RESULTING FROM SAID REPRODUCTION.

IF DRAWINGS MAY BE REPRODUCED BY MUNICIPAL AND GOVERNMENT AGENCIES RESPONSIBLE FOR APPROVALS FOR THEIR OWN USE, JOHN D. BELL ASSOCIATES RESERVES THE RIGHT TO WITHDRAW ANY DRAWINGS FROM GOVERNMENT OR MUNICIPAL AGENCIES WHETHER APPROVED OR NOT IN THE EVENT THAT ACCOUNTS ARE NOT SETTLED OR REMAIN OUTSTANDING.

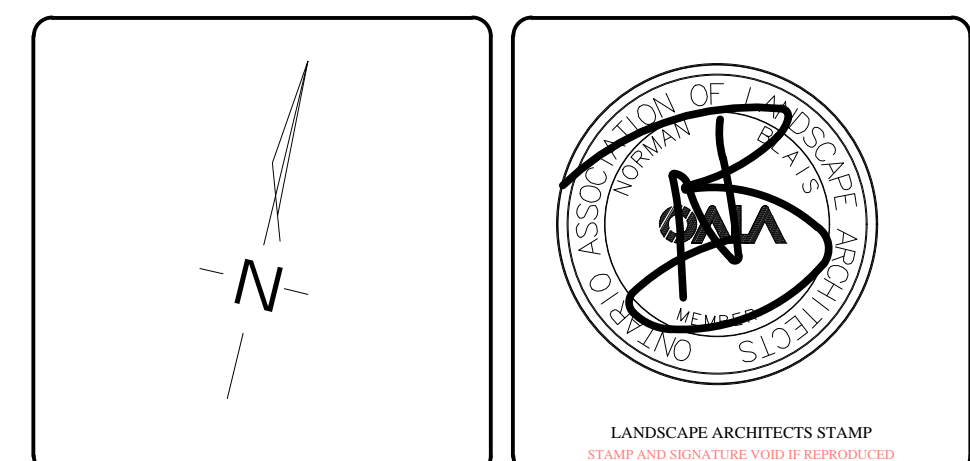
IT IS THE RESPONSIBILITY OF THE CONTRACTOR TO VERIFY ALL DIMENSIONS ON THE SITE AND REPORT ANY DISCREPANCIES OR VARIATIONS FROM THE SUPPLIED INFORMATION TO THE LANDSCAPE ARCHITECT WITH THE PROJECT. JOHN D. BELL ASSOCIATES LIMITED IS NOT RESPONSIBLE FOR THE ACCURACY OF SURVEY, ARCHITECTURAL, MECHANICAL, ELECTRICAL OR ELECTRICAL INFORMATION SHEETS OR DRAWINGS. FOR FURTHER INFORMATION REFER TO APPROPRIATE SURVEY, ARCHITECTURAL, MECHANICAL, ELECTRICAL OR ELECTRICAL DRAWINGS PRIOR TO PROCEEDING WITH ANY WORKS.

THIS DRAWING IS NOT TO BE SCALED.

DATE: _____

PRINT NAME: _____

SIGNED OWNER/CLIENT: _____



JDB ASSOCIATES LTD.

Urban Designers
Landscape Architects
Arborealists

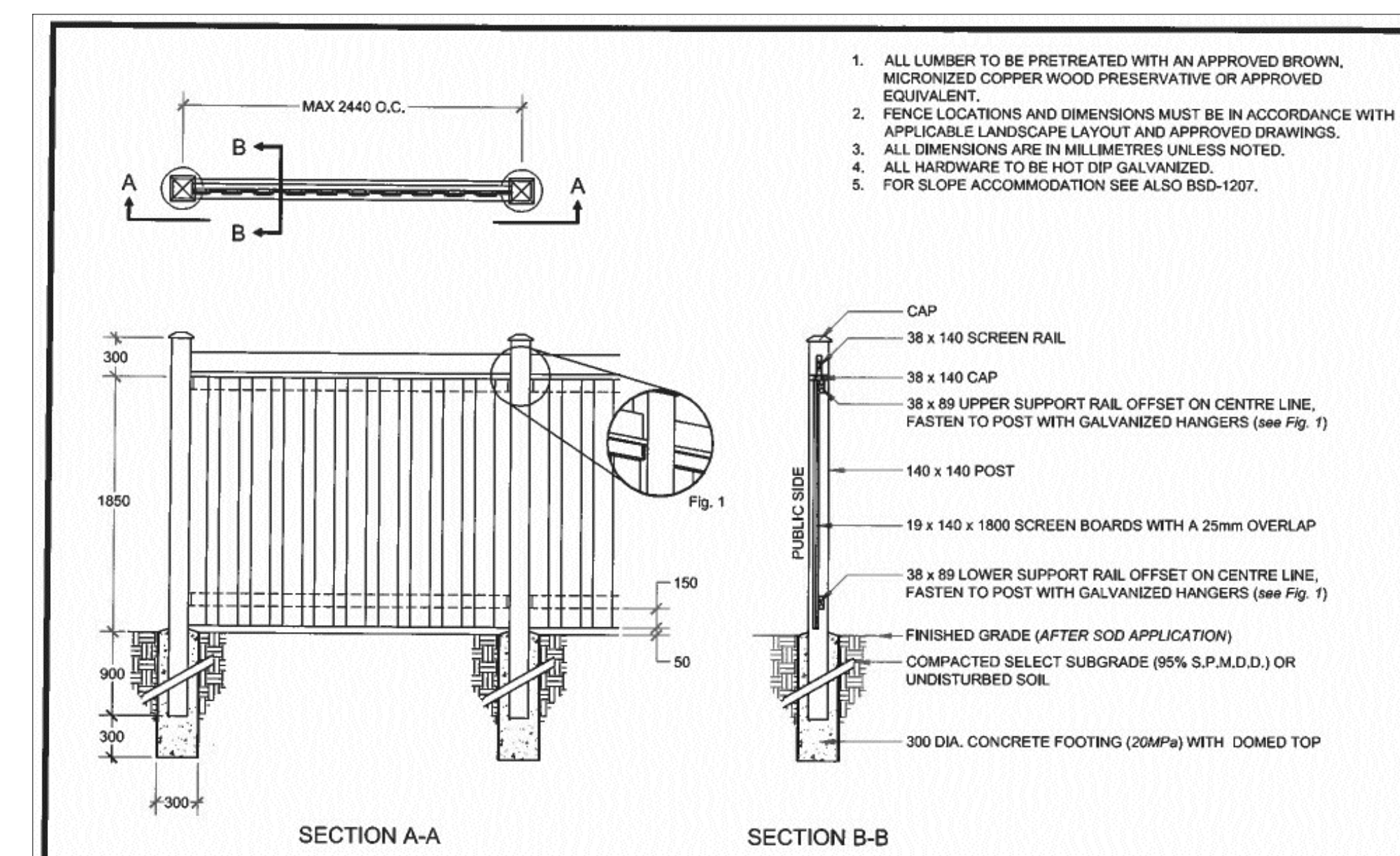
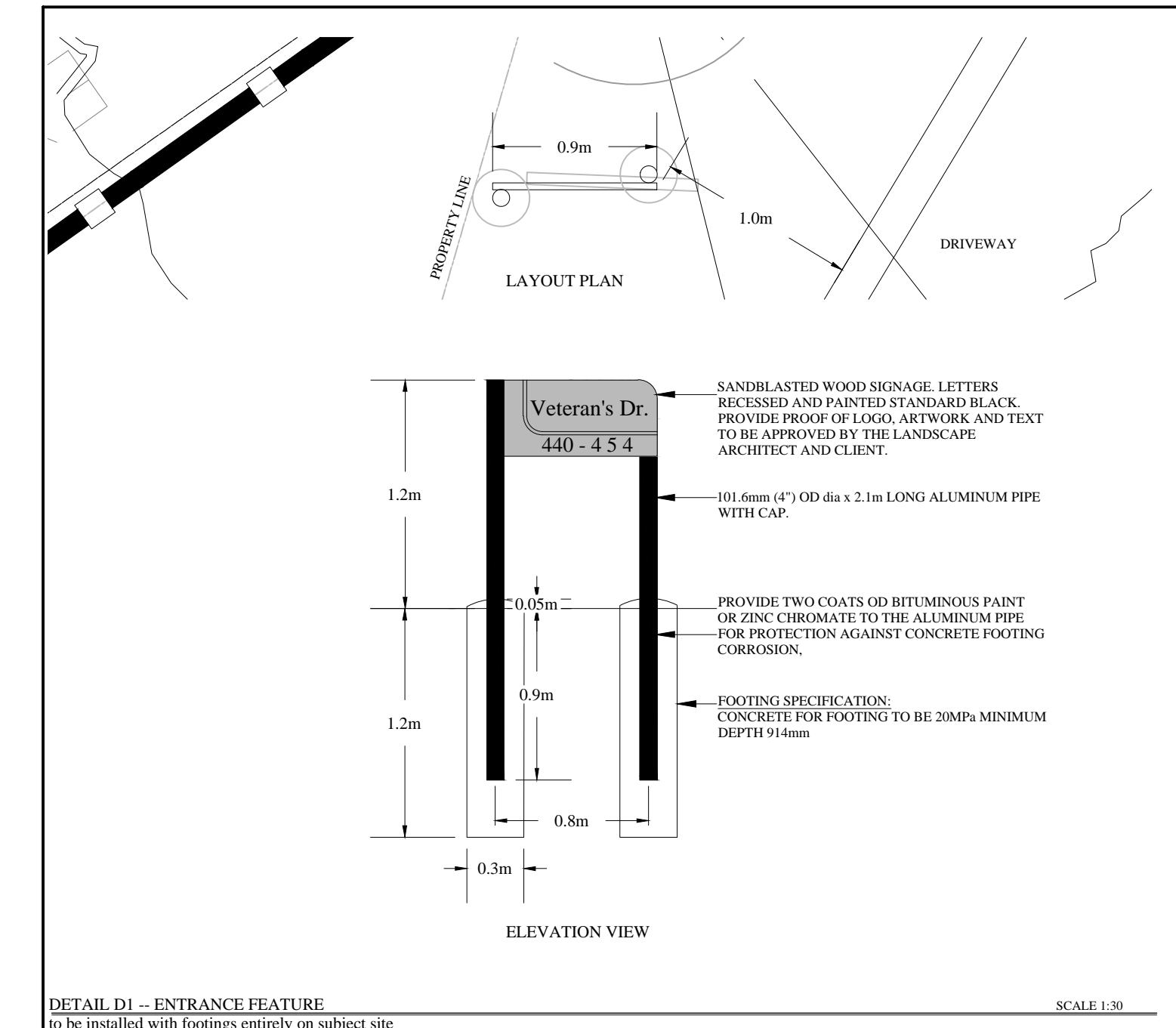
274 Burton Ave., Suite 1201
Barrie, Ontario
L4N 5W4

Fax: 705-722-5660
Tel: 705-722-6278

440 VETERANS DRIVE, BARRIE, ONTARIO

FENCING DETAILS

SCALE:	DATE:	DESIGNED BY:	REVIEWED BY:
N.T.S.	January 29, 2018	ST	NB
CITY FILE No.	OUR FILE REF. #	DRAWN BY:	LP-2
	1162A-18	ST	



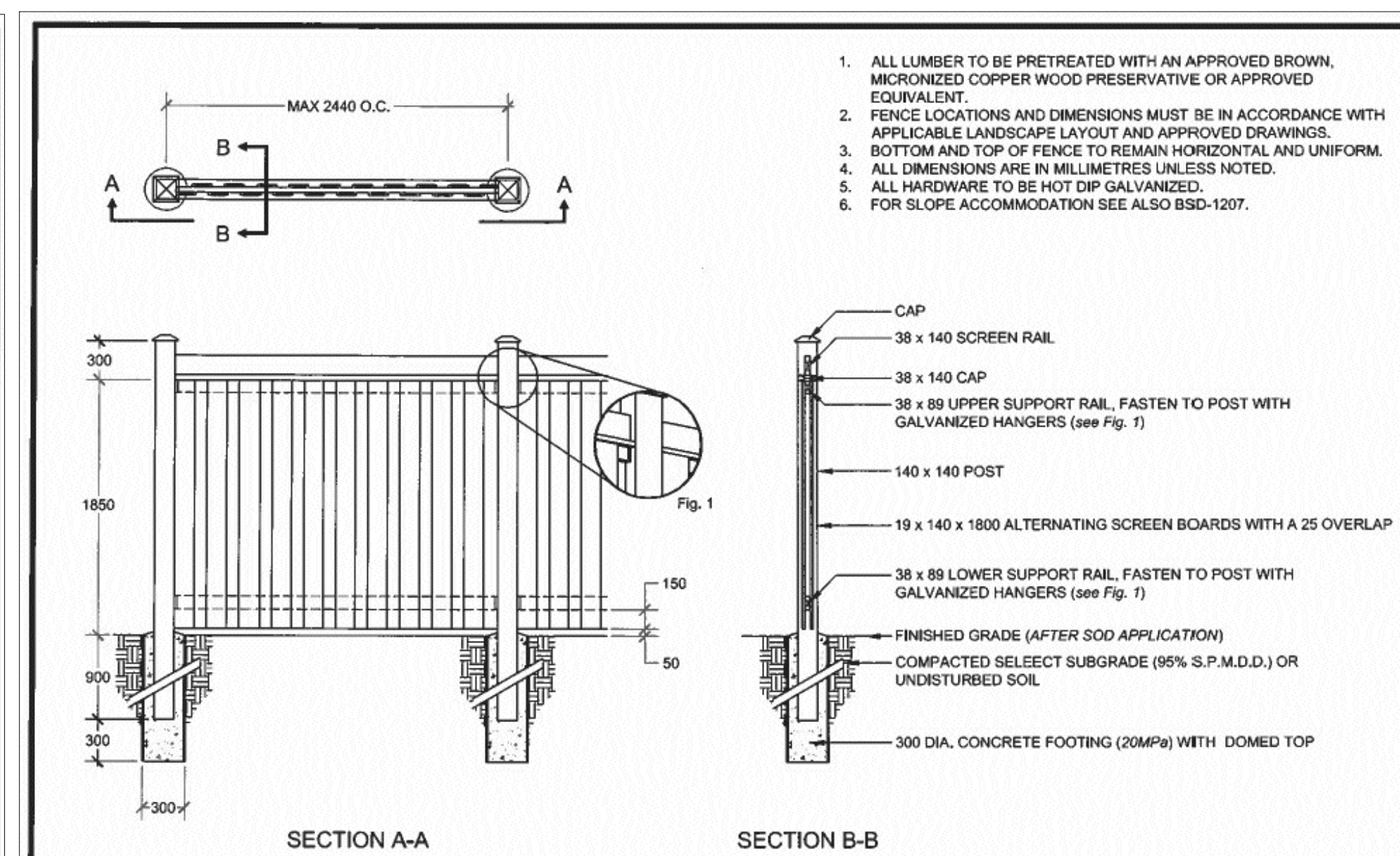
The City of BARRIE STANDARD DETAIL

OVERLAPPING BOARD RESIDENTIAL TO RESIDENTIAL FENCE

REV No. 1 DATE: JUNE 2015 SCALE: N.T.S.

APPROVED
DATE: June 11/15
JMU
DIRECTOR OF ENGINEERING

BSD-1206



The City of BARRIE STANDARD DETAIL

BOARD ON BOARD RESIDENTIAL TO RESIDENTIAL FENCE

REV No. 1 DATE: JUNE 2015 SCALE: N.T.S.

APPROVED
DATE: June 11/15
JMU
DIRECTOR OF ENGINEERING

BSD-1205 FORMERLY BSD-19C

NUVO IRON

13371 COLER AINE DR
CALEDON, ON L7E 3B6
PHONE: (905) 857-1010
FAX: (905) 857-9356
www.nuvoiron.com

SELECT DESIRED POST CAP

OPTIONS:

- SPEAR
- PYRAMID

SELECT DESIRED GATE OPTIONS:

- GATE OPENING
- LOCK BOX

SELECT DESIRED COLOUR:

- HIGH GLOSS BLACK
- WHITE
- BROWN
- GREEN
- FLAT BLACK
- TEXTURED BLACK
- *CUSTOM COLORS AVAILABLE UPON REQUEST

97 1/4" (2470 MM) CENTER TO CENTER
90 3/4" (2305 MM)
3 3/4" (95 MM) BETWEEN PICKETS

36" (914 MM)
10 1/8" (257 MM)

48" (1220 MM)
30" (762 MM)
8" (203 MM) FRONT VIEW

PRE-PUNCHED RAILS
CONCRETE FOOTINGS BELOW FROST LINE
LEVEL GROUND

SPECIFICATIONS:
POST RAILS AND PICKETS:
- EXTRUDED MARINE ALUMINUM.
- CHROMATE CONVERSION COATING.
- ELECTROSTATICALLY APPLIED.
- THERMALLY BONDED POLYESTER POWDER COATING.
- MINIMUM FILM THICKNESS 2.5 mm.
- COATING AVAILABLE.
PICKETS:
- 3" X 3" (76 mm X 76 mm) 7 GAUGE.
- STANDARD POST SPACING 97 1/4" (2470 mm) O.C.
RAILS:
2 1/2" X 1 1/2" (63 mm X 38 mm) 11 GAUGE.

PICKETS: 1 1/2" X 3/4" (38 mm X 19 mm) 14 GAUGE.
FITTINGS: 12 GAUGE STAMPED MARINE ALUMINUM.
STANDARD PANEL HEIGHTS: 90 3/4" (2305 mm)
- REFER TO NUVO IRON CATALOG.
- OPTIONAL HEIGHTS AVAILABLE UPON REQUEST.
STANDARD GATE OPENINGS INSIDE POSTS:
- REFER TO NUVO IRON CATALOG.
- WARRANTY 5 YEARS.
- UPON REQUEST.
- EXTENDED WARRANTY AVAILABLE.

NOTES:

- INSTALLATION TO BE COMPLETED IN ACCORDANCE WITH MANUFACTURER'S SPECIFICATIONS.
- DO NOT SCALE DRAWING.
- THIS DRAWING IS INTENDED FOR USE BY ARCHITECTS, ENGINEERS, CONTRACTORS, CONSULTANTS AND DESIGN PROFESSIONALS. FOR PLANNING PURPOSES ONLY. THIS DRAWING MAY NOT BE USED FOR CONSTRUCTION.
- ALL INFORMATION CONTAINED HEREIN WAS CURRENT AT THE TIME OF DEVELOPMENT BUT MUST BE REVIEWED AND APPROVED BY THE PRODUCT MANUFACTURER TO BE CONSIDERED ACCURATE.
- CONTRACTOR'S NOTE: FOR PRODUCT AND COMPANY INFORMATION VISIT www.CADdetails.com/info AND ENTER REFERENCE NUMBER.

MEMORIAL COLLECTION - ALUMINUM
MEMORIAL COLLECTION: NUVO™ XXV ALUMINUM SCALE: 1:30