



KEY MAP

N.T.S.

GENERAL NOTES

CONTRACTOR IS RESPONSIBLE FOR ALL LOCATES INCLUDING ALL UNDERGROUND SERVICES PRIOR TO ANY EXCAVATION OR INSTALLATIONS. THE CONTRACTOR IS REQUIRED TO NOTIFY THE VARIOUS UTILITY COMPANIES 48 HOURS PRIOR TO THE COMMENCEMENT OF ANY WORK.

ANY ACCOMPANYING DOCUMENTATION RELATING TO THE LANDSCAPE PLAN AND/OR PRESERVATION PLAN SUCH AS TENDER DOCUMENTS AND CHANGE NOTICES ARE TO BE ENDORSED BY J.D.B. ASSOCIATES LIMITED PRIOR TO THE BEGINNING OF ANY SITE WORKS. IN THE EVENT THAT OF A DISCREPANCY THE DRAWING SHALL BE ASSUMED CORRECT.

IT IS THE RESPONSIBILITY OF THE PERSON OR PERSONS RESPONSIBLE FOR THE CONSTRUCTED WORKS TO NOTIFY THE LANDSCAPE ARCHITECT WHEN PREPARED FOR ANY REQUIRED INSPECTIONS AND SIGN OFFS.

SCHEDULED MEETINGS SHALL TAKE PLACE AT THE CLOSEST MUTUALLY CONVENIENT TIME.

No.	REVISION	DATE	APRVD.
1.	CLIENT REVIEW	Dec. 12, 2019	ST
2.	SUBMITTED TO THE CITY OF BARRIE	Febr. 25, 2020	ST
3.	AS PER CITY OF BARRIE COMMENTS	June 15, 2020	ST
4.	AS PER CITY OF BARRIE COMMENTS	November 25, 2020	ST
5.	AS PER CITY OF BARRIE COMMENTS	March 10, 2021	ST

ALL DRAWINGS AND SPECIFICATIONS ARE INSTRUMENTS OF SERVICE AND ARE THE PROPERTY OF J. D. B. ASSOCIATES LIMITED. DRAWINGS ARE NOT TO BE MODIFIED AND/OR REPRODUCED WITHOUT THE WRITTEN CONSENT OF J.D.B. ASSOCIATES LIMITED. REPRODUCTION OF DRAWINGS IN ANY FORM WITHOUT THE CONSENT OF J.D.B. ASSOCIATES LIMITED voids the drawing at which the J.D.B. ASSOCIATES LIMITED ACCEPTS NO LIABILITY FOR THE DRAWING CONTENT OR WORKS RESULTING FROM SAID REPRODUCTION. DRAWINGS MAY BE REPRODUCED BY MUNICIPAL AND GOVERNMENT AGENCIES RESPONSIBLE FOR APPROVALS FOR THEIR OWN USE. J. D. B. ASSOCIATES RESERVES THE RIGHT TO WITHDRAW ANY DRAWINGS FROM GOVERNMENT OR MUNICIPAL AGENCIES WHETHER APPROVED OR NOT IN THE EVENT THAT ACCOUNTS ARE NOT SETTLED OR REMAIN OUTSTANDING.

IT IS THE RESPONSIBILITY OF THE CONTRACTOR TO VERIFY ALL DIMENSIONS ON THE SITE AND REPORT ANY DISCREPANCIES OR VARIATIONS FROM THE SUPPLIED INFORMATION TO THE LANDSCAPE ARCHITECT WITH THE PROJECT. J. D. B. ASSOCIATES LIMITED IS NOT RESPONSIBLE FOR THE ACCURACY OF SURVEY, ARCHITECTURAL, MECHANICAL, ENGINEERING OR ELECTRICAL INFORMATION SHOWN ON THE DRAWING. FOR FURTHER INFORMATION REFER TO APPROPRIATE SURVEY, ARCHITECTURAL, MECHANICAL, ENGINEERING OR ELECTRICAL DRAWINGS PRIOR TO PROCEEDING WITH ANY WORKS.

THIS DRAWING IS NOT TO BE SCALED.

BASE INFORMATION PROVIDED BY:
JDB ASSOCIATES LTD.
563 Bay St., Barrie, ON

BASE PLAN OBTAINED:
January 2018

ACCEPTED BY:



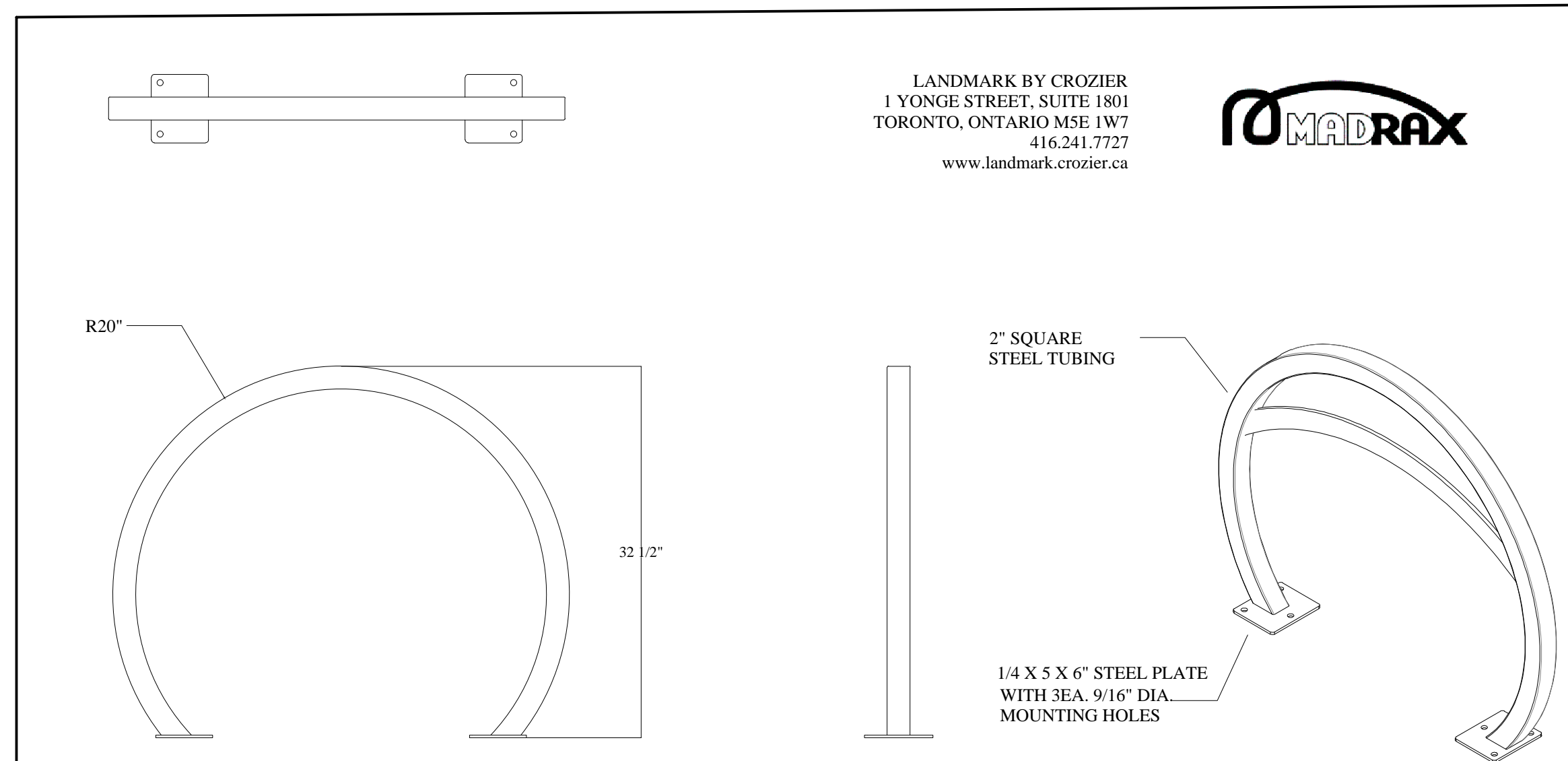
LANDSCAPE ARCHITECTS STAMP
STAMP AND SIGNATURE VOID IF REPRODUCED

JDB ASSOCIATES LTD.
Urban Designers
Landscape Architects
Arborealists
274 Burton Ave., Suite 1201
Barrie, Ontario
L4N 5W4
Fax: 705-722-5660
Tel: 705-722-6278

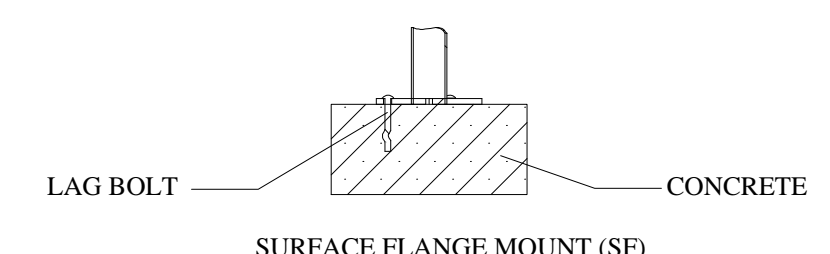
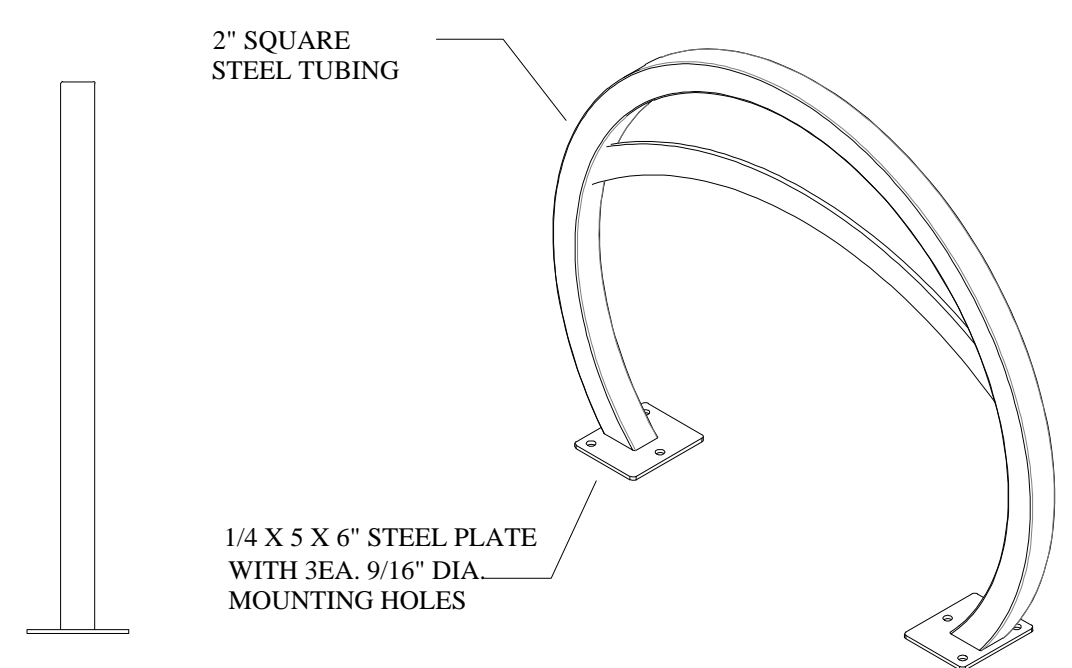
440 VETERANS DRIVE,
BARRIE, ONTARIO
BLOCKS 87 AND 88, REGISTERED PLAN 51M-835

LANDSCAPE DETAILS

SCALE:	DATE:	DESIGNED BY:	REVIEWED BY:
N.T.S.	January 29, 2018	ST	NB
CITY FILE No. D11-008-2020	OUR FILE REF.# 1162A-18	DRAWN BY: ST	LP-3



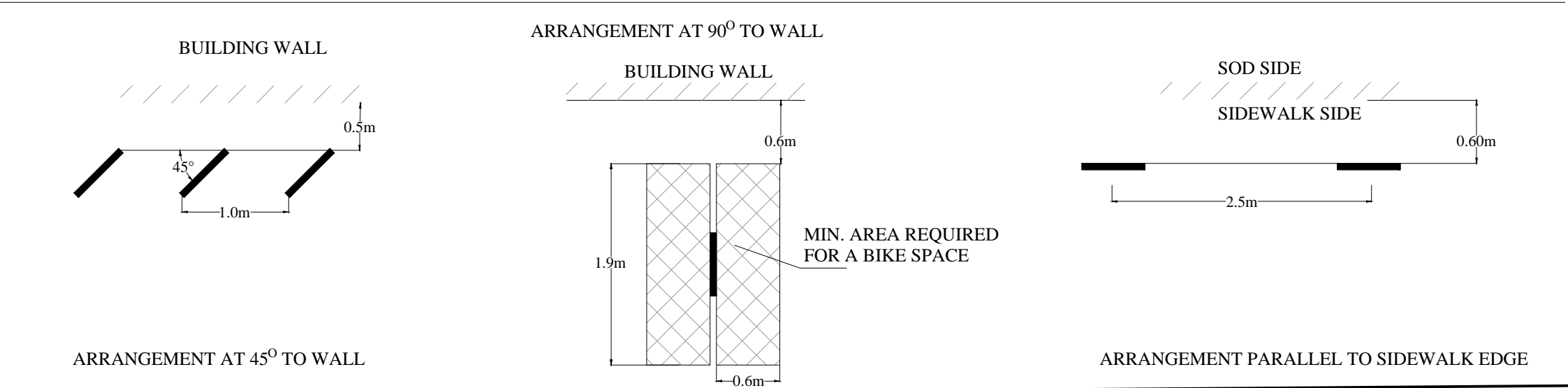
LANDMARK BY CROZIER
1 YONGE STREET, SUITE 1801
TORONTO, ONTARIO M5E 1W7
416.241.7727
www.landmark.crozier.ca



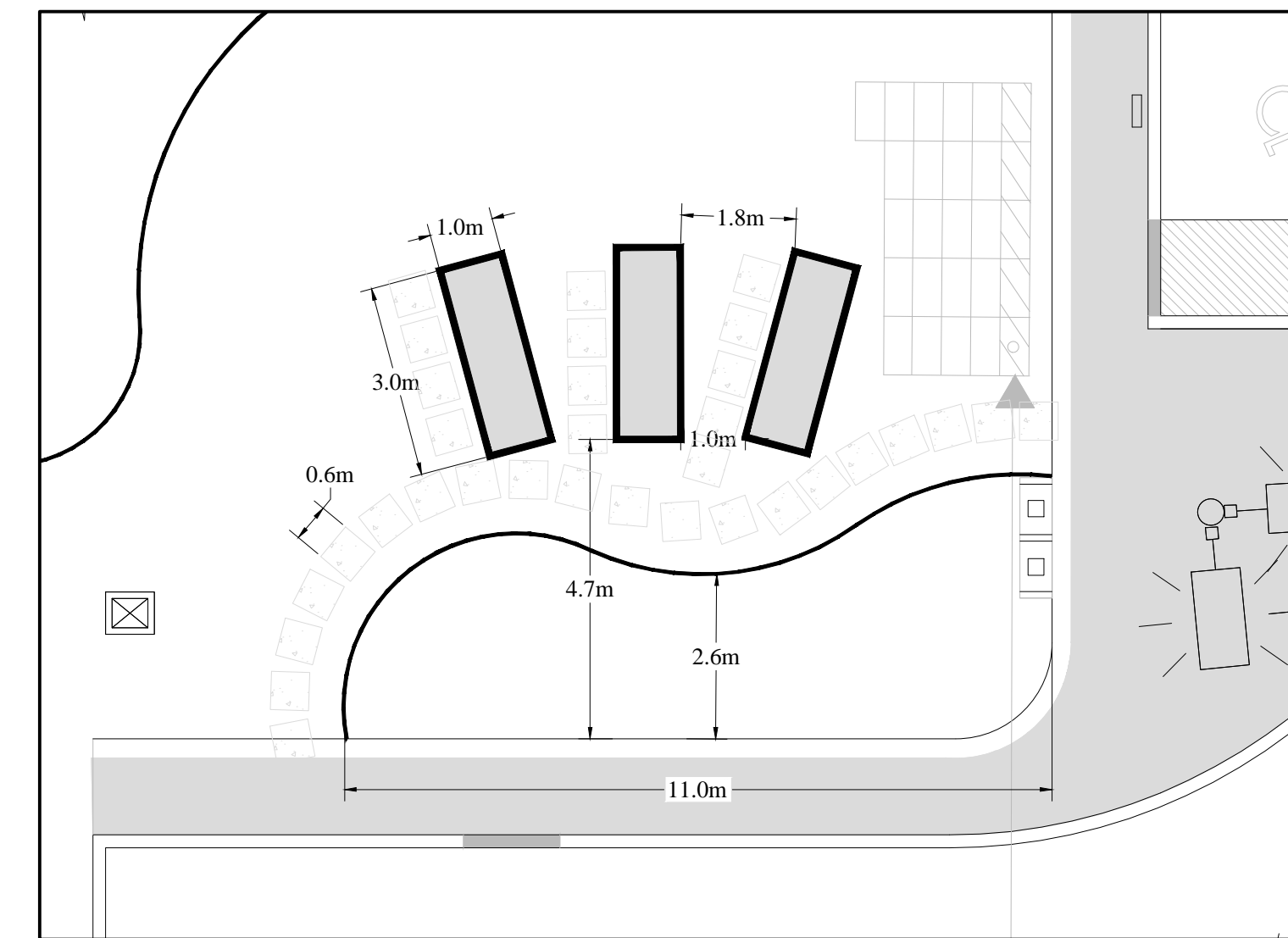
2 BIKE, SURFACE OR IN GROUND MOUNT
SECTION VIEWS

PRODUCT: ORNS-2(LB)-IG(SF)
DESCRIPTION: ORION BIKE RACK

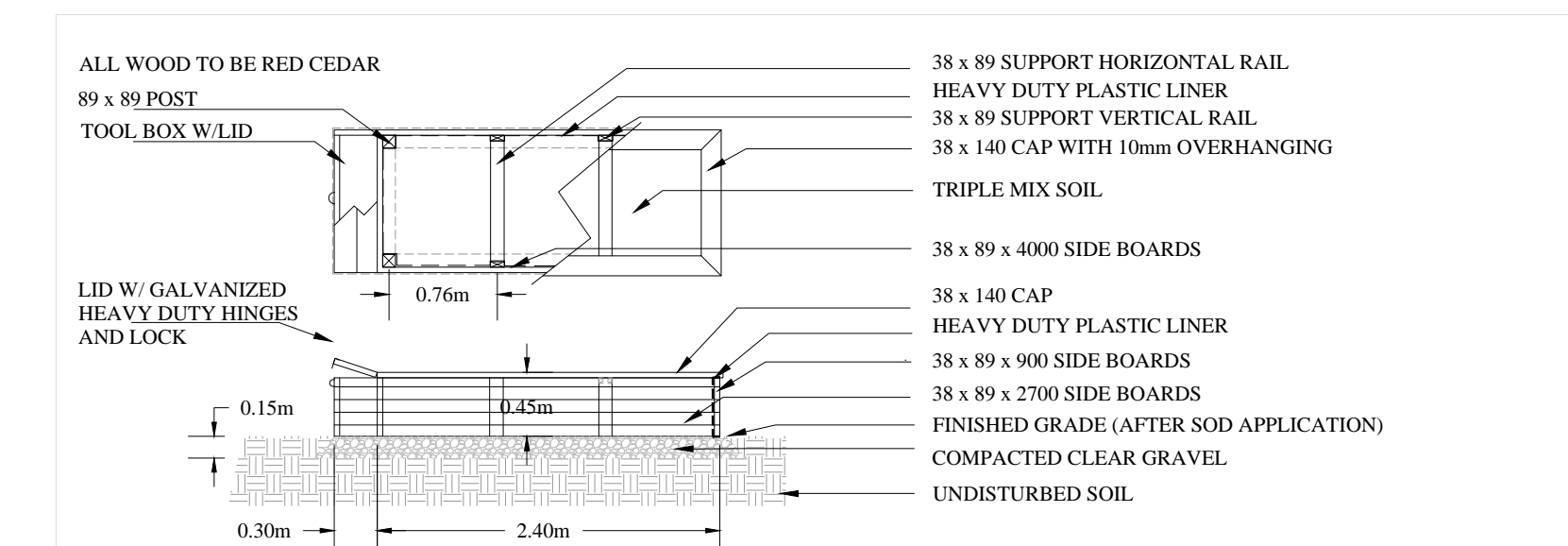
- NOTES:
1. INSTALL BIKE RACKS ACCORDING TO MANUFACTURER'S SPECIFICATIONS.
2. CONSULTANT TO SELECT COLOR (FINISH), SEE MANUFACTURER'S SPECIFICATIONS.
3. SEE SITE PLAN FOR LOCATION OR CONSULT OWNER.



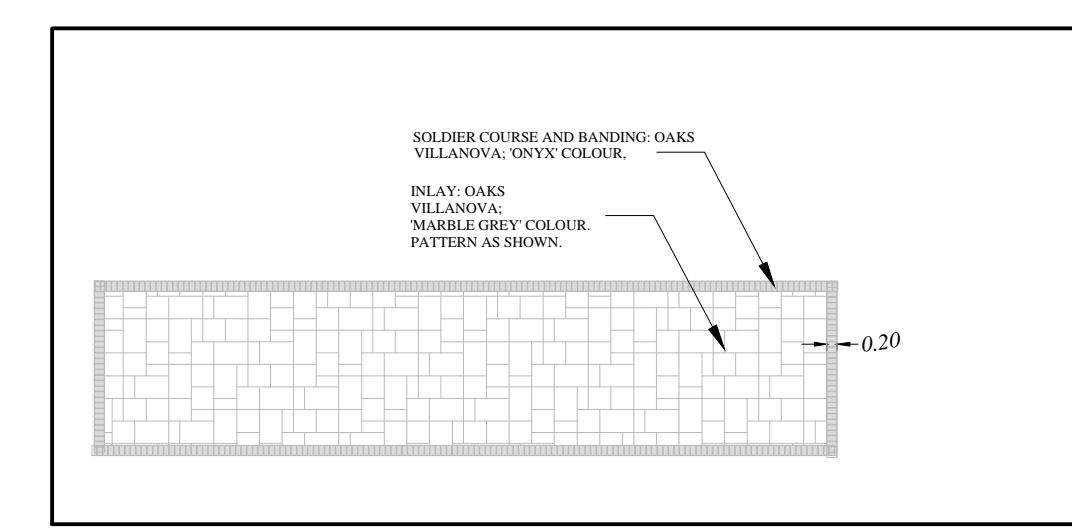
BIKE RACK DETAIL



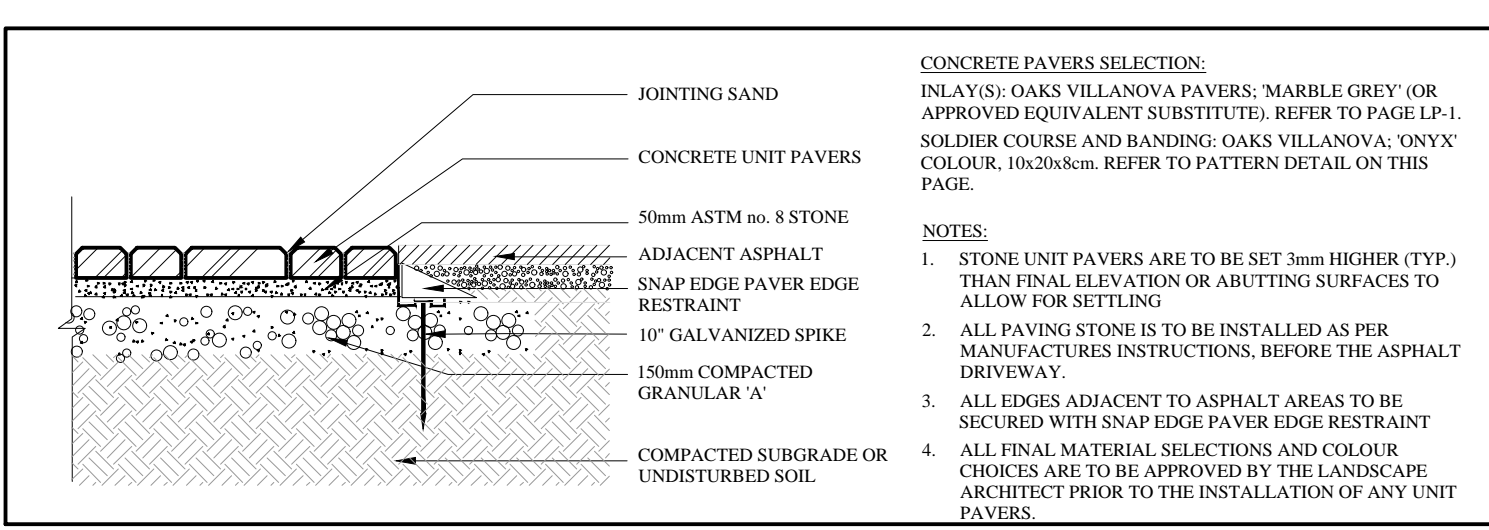
GARDEN BOXES LAYOUT



GARDEN BOX DETAIL



PAVING DETAILS



CONCRETE PAVERS SELECTION:
INLAY(S): OAKS VILLANOVA PAVERS; MARBLE GREY (OR APPROVED EQUIVALENT SUBSTITUTES, REFER TO PAGE L-1).
SOLDIER COURSE AND BANDING: OAKS VILLANOVA; 'ONYX' COLOUR, 10x20x8cm. REFER TO PATTERN DETAIL ON THIS PAGE.

NOTES:
1. STONE UNIT PAVERS ARE TO BE SET 3mm HIGHER (TYP.) THAN FINAL ELEVATION OR ABUTTING SURFACES TO ALLOW FOR SETTLING.
2. ALL PAVING STONE IS TO BE INSTALLED AS PER MANUFACTURER'S INSTRUCTIONS, BEFORE THE ASPHALT DRIVEWAY.
3. ALL EDGES ADJACENT TO ASPHALT AREAS TO BE SECURED WITH SNAP EDGE PAVEMENT RESTRAINT.
4. ALL FINAL MATERIAL SELECTIONS AND COLOUR CHOICES ARE TO BE APPROVED BY THE LANDSCAPE ARCHITECT PRIOR TO THE INSTALLATION OF ANY UNIT PAVERS.

N.T.S.