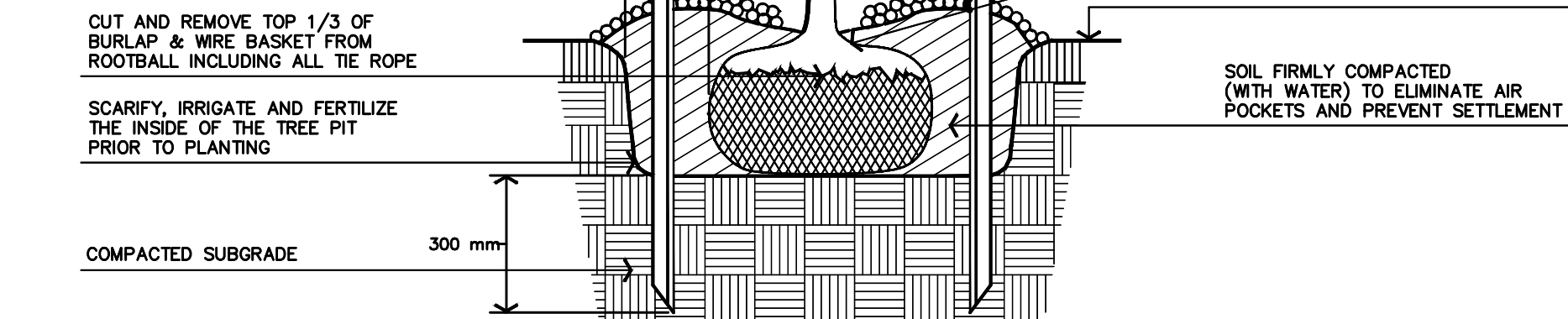


Notes:  
 -Inverted U Bike Rack - Galvanized Steel Schedule 40 Pipe to ASTM A 53, 48mm O.D., 38mm I.D., Hot Dipped Galvanized Finish to CSA G164, welding to CSA W59 base type = surface mount on concrete pad  
 -Install to manufacturer's specifications.  
 -Can be custom fabricated or **Urban Staple Rack** by **Urban Racks** 9775 - 188th St., Suite 402 Surrey, BC V4N 3N2  
 Tel. (888) 717-8881, Email sales@urbanracks.com

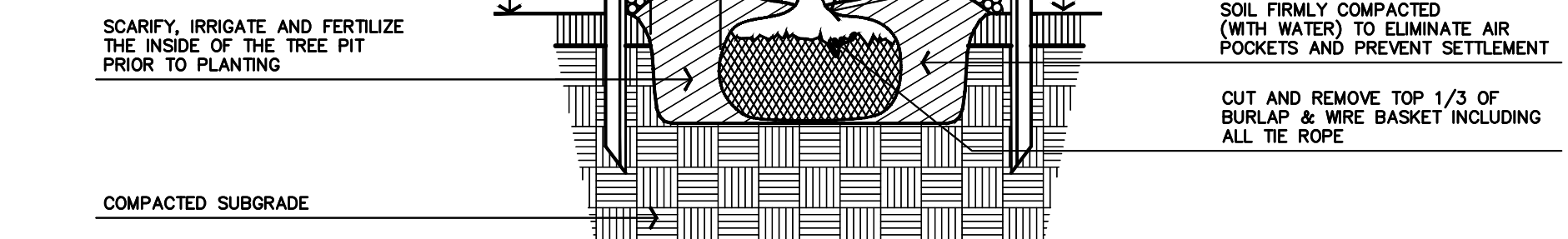
**HOOP BICYCLE RACK**  
 Not to Scale

**NOTES:**  
 - Pruning shall be limited to dead or broken branches after planting. Maintain original shape of tree, do not prune or damage leader branch.  
 - Confirm underground utilities before installing wooden stakes.  
 - Wooden stakes MUST be installed at the same time as the tree.  
 - If necessary, remove soil from root ball to uncover trunk flare. The trunk flare is where the roots spread at the base of the tree.  
 - In loamy or sandy soils, the root ball should be set so that the trunk flare is exactly at grade.  
 - In clay or poorly drained soils, set tree 50 mm higher than adjacent finished grade to allow for settlement.  
 - Caliper measured at 300 mm from grade level.  
 - Back fill tree pit with native soil - amend if required.  
 - All dimensions in millimetres minimum & maximum. Allowances are given.



**TYPICAL DECIDUOUS TREE PLANTING**  
 Not to Scale, this tree does not represent any particular species

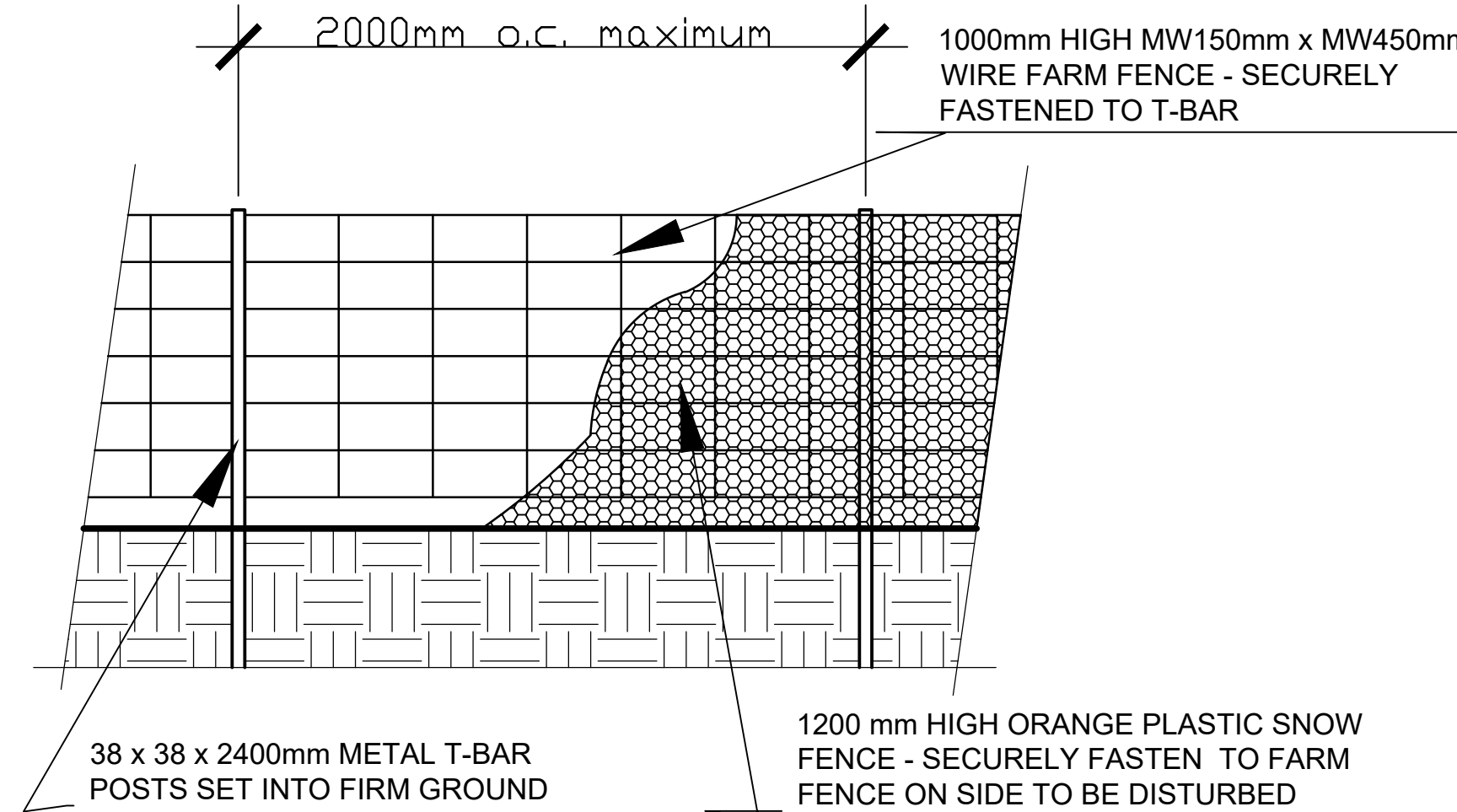
**NOTES:**  
 - Tree shall be measured to height of previous years growth.  
 - Pruning shall be limited to dead or broken branches after planting. Maintain original shape of tree, do not prune or damage leader branch.  
 - If necessary, remove soil from root ball to uncover trunk flare.  
 - In loam or sandy soils, the root ball should be set so that the trunk flare is exactly at grade. The trunk flare is where the roots spread at the base of the tree.  
 - In clay or poorly drained soils, set tree 50 mm higher than adjacent finished grade to allow for settlement.  
 - Back fill tree pit with native soil - amend if required.  
 - All dimensions in millimetres minimum & maximum. Allowances are given.  
 - Confirm underground utilities before installing wooden stakes.  
 - Wooden stakes must be installed at the same time as the tree.



**TYPICAL CONIFEROUS TREE PLANTING**  
 Not to Scale, this tree does not represent any particular species

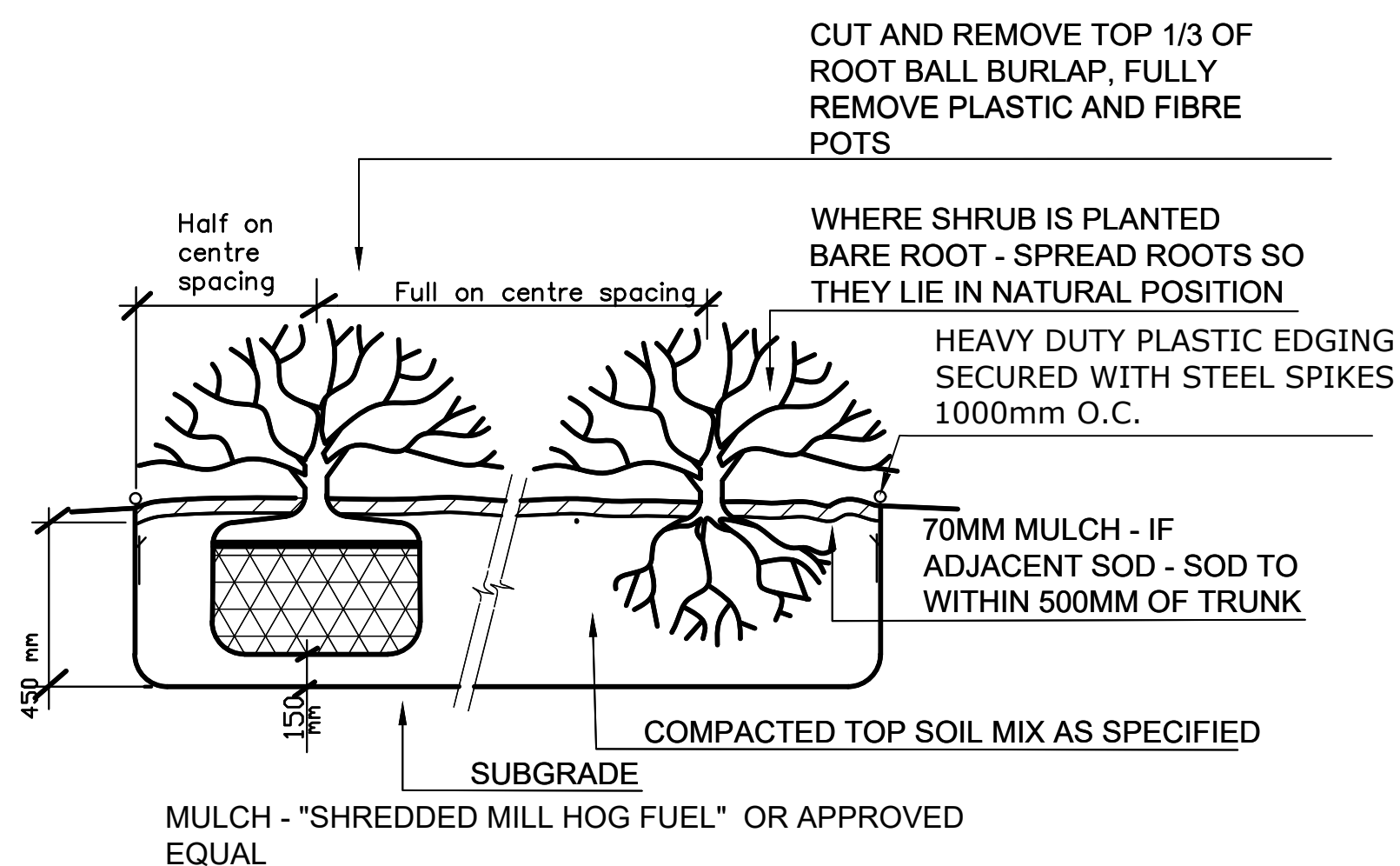
**Tree Protection Standards**

-The contractor will be responsible for implementing the following specifications to ensure protection of existing trees within the construction zone.  
 -A tree protection zone will be established around each tree involved within and immediately adjacent to proposed construction areas. The tree protection zone will extend to at least the "drip line" of the tree or a minimum of 3000mm radius from the stem of the tree.  
 -Trees involved within and immediately adjacent to proposed construction areas shall require strapping or a double wrap of wood slat snow fencing, or other suitable wood planks strapped to the tree trunk to completely protect the tree trunk from impact damage. The minimum size of strapping will be 25x150x2440mm.  
 -For designated areas, a snow fence or other barrier shall be erected and maintained around the tree protection zone.  
 -No equipment or materials shall be allowed to hit, abrade or otherwise damage the trunk or branches of a tree.  
 -No heavy equipment shall be driven over the tree protection zone.  
 -No soil or construction materials shall be piled over the tree protection zone or around the trunks.  
 -No disposal of any liquid such as concrete sludge, gas or oil shall occur within the tree protection zone.  
 -No trenching shall occur within the tree protection zone, however where excavation and backfill must occur, approval must be received from the Consultant. Low-impact methods such as the hydrovac system and trenchless methods such as directional drilling under existing trees will be the recommended method of underground installations. Open trenches at the base of trees are not acceptable. Destroying roots in this zone will make the tree structurally unsound and subject to toppling.  
 -In event of major reconstruction efforts, the Contractor shall root prune along the length of the work in an approved manner, such as with a chain saw or root pruner. A clean severance of the root system is required. The depth of the cut shall be the same depth as the excavation at the maximum distance from the tree trunk allowed by the construction.  
 -Backfilling within the tree protection zone to a depth of 300mm of the finished grade shall be with a 1:1:1 soil mix of top soil, sand and peatmoss to allow for proper root regeneration.  
 -During the course of construction, the Contractor is to inform the Consultant of any significant damage to a tree. All remedial action must be performed by a qualified tree service firm, subject to approval by Consultant.  
 -If a tree is damaged beyond repair, the Contractor will be responsible for a replacement tree of similar species to the largest transferable caliper.  
 -No additional compensation will be paid for the protection of trees in the work zone.



Notes:  
 -For location of tree protection fence see drawing L-1  
 -Maintain in place until construction of project is complete  
 -Read this detail together with Tree Protection Standards

**TYPICAL EXISTING TREE PROTECTION**  
 Not to Scale



SHRUBS SHALL BARE THE SAME RELATION TO FINISHED GRADE AS THEY BORE TO PREVIOUS EXISTING GRADE  
 ALL SHRUBS IN BEDS, NO INDIVIDUAL PITS EXCEPT WHERE INDICATED

-Plastic Edging: Black Diamond by Valleyview or approved equal. Utilize edging at all locations where planting bed is adjacent to sod, native grass planting or pebble mulch.

THIS SHRUB DOES NOT REPRESENT ANY PARTICULAR SPECIES

**TYPICAL SHRUB PLANTING**  
 Not to Scale

**General Planting Notes**  
 Minimum sizes for plant material are minimum only to main body of plant.  
 Sod all areas as shown as specified on drawings.  
 -Lay sod as specified on minimum 100 mm topsoil.  
 Mulch on all planting: Shredded Red Cedar or approved equal at depths as per detail.  
 Planting Soil Mixture:  
 6 Parts Topsoil (friable, fertile natural loam);  
 1 Part mushroom compost or well rotted manure;  
 1 Part finely shredded spagnum peat moss;  
 Bone meal 0.58 kg/cubic metre of planting soil mixture.  
 Fertilizer:  
 Shrubs - Two 21 gram agriform tablets or approved substitute for each shrub in bed.  
 Trees - Two 21 gram agriform tablets or approved substitute for each 25 mm caliper of tree.  
 Mycorrhizae:  
 utilize Myke Pro Landscape or approved alternative at time of planting at the following rates:  
 cont.#1 = 0.25 cup, cont.#2 = 0.5 cup, cont.#3 = 0.75 cup, cont.#5 = 1 cup  
 40mm cal. = 4 cups, 50mm cal. = 6 cups, 65mm cal. = 8 cups  
 150cm height = 4 cups, 180cm = 6 cups, 240cm = 8 cups  
 The appropriate utilities shall be notified for locates prior to the commencement of planting.  
 The guarantee period shall be two years from the date of performance acceptance of the work. All plant material which is dead or not in satisfactory growing condition shall be replaced to the satisfaction of the Consultant and be under an additional one year guarantee period.

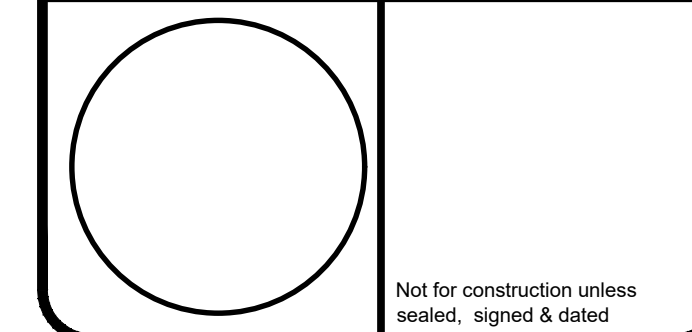
**GENERAL PLANTING NOTES**

General Notes

LEGEND

Notes:  
 Contractor to verify all dimensions on site and notify Consultant of any discrepancies.

No.	Revision/Issue	Date
7		
6	Client revised Site Plan & re-issued for Site Plan Control	Mar. 27/18
5	Client revised Site Plan & re-issued for OMB Hearing	Feb. 06/18
4	Client revised Site Plan & re-issued for Client review	Nov. 4/17
3	Client revised Site Plan & re-issued for Client review	Oct. 23/17
2	Client revised Site Plan & re-issued for Client review	June 23/17
1	Issued for Client review	May 06/17



Firm Name and Address  
**WERNER SCHWAR**  
**LANDSCAPE**  
**ARCHITECT**  
 P.O. Box 21048, 640 River St.  
 Thunder Bay, ON P7A 3S0  
 (807) 346-0607

Project Name  
**Yonge and Mapleview**  
**Developments Ltd.**  
 (file D28-0170)  
 20 St. Paul's Crescent  
 City of Barrie, ON

Drawing Title  
**Landscape & Planting Details**  
 Landscape Plan

Project 17-389  
 Date May 2017  
 Scale as shown  
 Sheet **L-2**