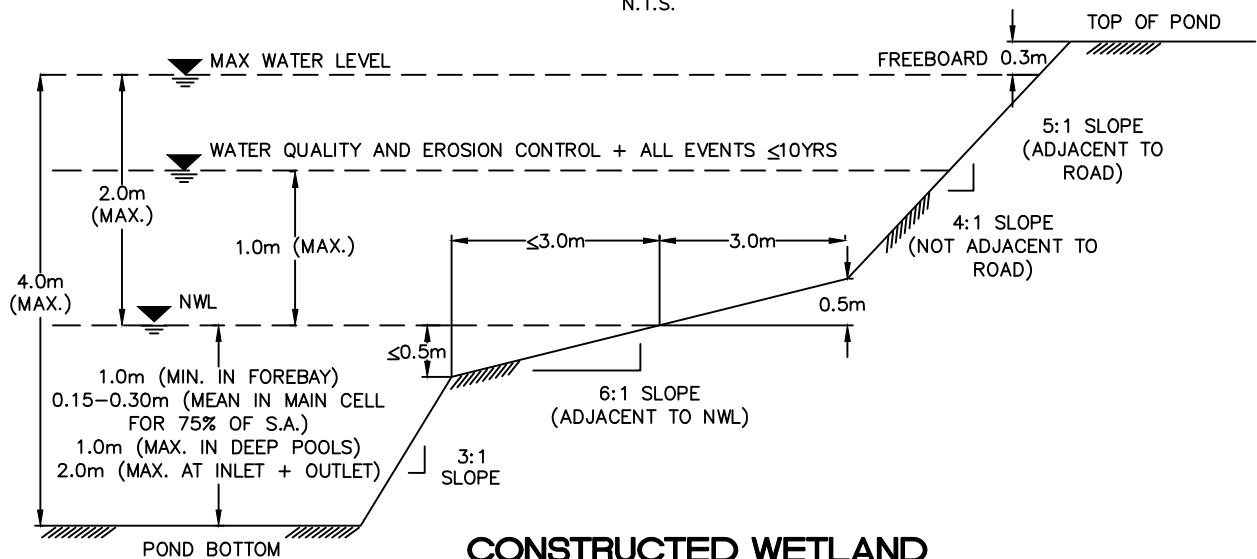


**WET POND**

N.T.S.



**CONSTRUCTED WETLAND**

**NOTE:** FOR HYBRID WET POND / WETLAND FACILITIES, THE ABOVE NOTED CRITERIA FOR DEPTH AND SLOPE SHALL APPLY TO THE RESPECTIVE WET POND AND WETLAND COMPONENTS OF THE HYBRID FACILITY WITH THE FOLLOWING CLARIFICATION:

1. DEPTH FOR ACTIVE STORAGE SHALL NOT EXCEED THE CRITERIA FOR A WETLAND UNLESS A TERRACED OVERFLOW CONFIGURATION IS EMPLOYED.
2. THE MINIMUM LENGTH TO WIDTH RATIO FOR THE WET POND COMPONENT SHALL BE 2:1



**SWM Facility Grading**

REV No.

1

DATE: APR 2023

SCALE: N.T.S

**D780**