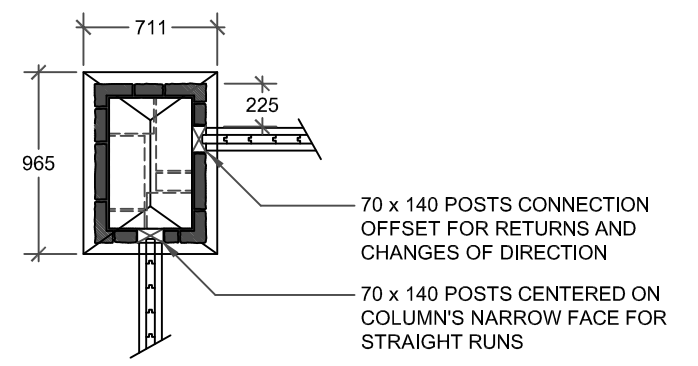


1. COLUMN LOCATIONS LOCATIONS AND DIMENSIONS MUST BE IN ACCORDANCE WITH APPLICABLE NOISE STUDY RESULTS AND THE MINISTRY OF THE ENVIRONMENTS NOISE ASSESSMENT CRITERIA IN LAND USE PLANNING PUBLICATION LU-131 RELATING TO THE ACOUSTIC FENCE INSTALLATION.
2. COLUMNS SHALL BE PLACED AT ALL FENCE TERMINUS AND CHANGES OF DIRECTION AND SHALL BE PLACED ALONG FENCE RUNS (MINIMUM SPACING 1 UNIT PER 40 ln/m).
3. ALL MATERIALS ARE TO BE INSTALLED AS PER MANUFACTURER'S INSTRUCTIONS.
4. FLASHING TO BE INSTALLED BETWEEN THE PIER CAP AND TOP OF COLUMN.
5. ALL MORTAR JOINTS ARE TO BE TOOLED.
6. INSTALL CORRUGATED BRICK TIES IN BLOCK CORE FOR VENEER INSTALLATION.
7. ALL DIMENSIONS ARE IN MILLIMETRES UNLESS NOTED.
8. ALL HARDWARE TO BE HOT DIP GALVANIZED.
9. COLUMNS ARE TO BE INSTALLED SOLELY ON PRIVATE LANDS AND ARE TO CONFORM TO APPROVED STREETScape PLANS.
10. ENTRANCE FEATURES SHALL APPLY SIMILAR STANDARDS AND DESIGN PRINCIPLES.
11. COLUMN DETAILS ARE PROVIDED AS A MINIMUM STANDARD AND ARE INTENDED TO PERMIT VARIANCES IN MATERIAL AND DESIGN.
12. THIS DETAIL TO BE USED IN CONJUNCTION WITH P1200, P1201 AND P1202.



# ACOUSTIC FENCE MASONRY COLUMN

REV No.	DATE: APR 2023
<b>2</b>	SCALE: N.T.S.

**P1203**