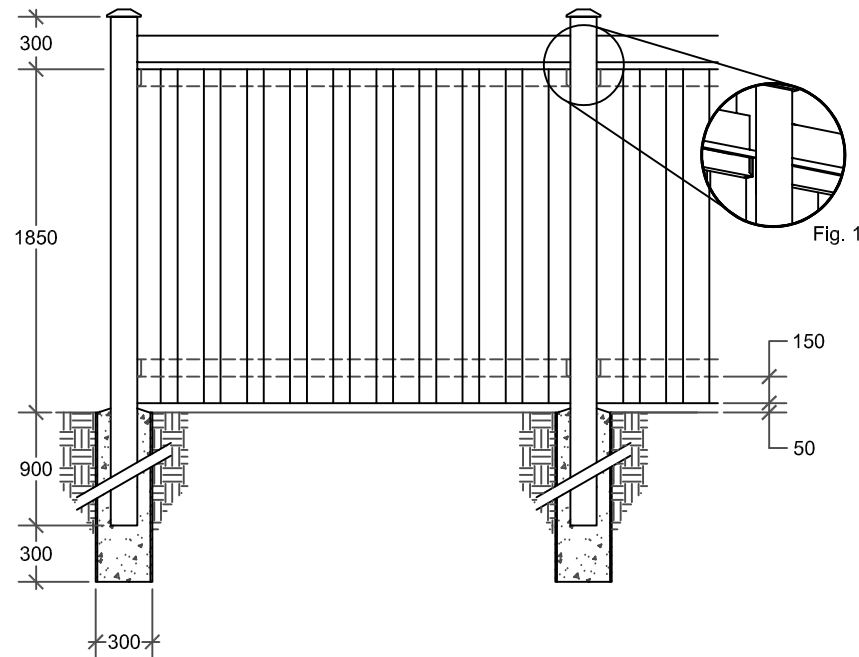
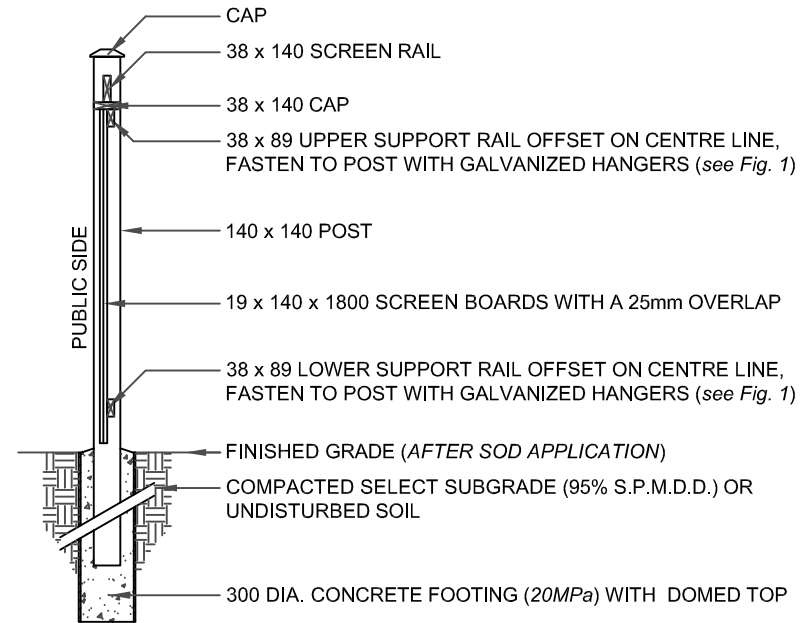


1. ALL LUMBER TO BE PRETREATED WITH AN APPROVED BROWN, MICRONIZED COPPER WOOD PRESERVATIVE OR APPROVED EQUIVALENT.
2. FENCE LOCATIONS AND DIMENSIONS MUST BE IN ACCORDANCE WITH APPLICABLE LANDSCAPE LAYOUT AND APPROVED DRAWINGS.
3. ALL DIMENSIONS ARE IN MILLIMETRES UNLESS NOTED.
4. ALL HARDWARE TO BE HOT DIP GALVANIZED.
5. FOR SLOPE ACCOMMODATION SEE ALSO P1207.



SECTION A-A



SECTION B-B



FENCE OVERLAPPING BOARD

REV No.	DATE: APR 2023
2	SCALE: N.T.S.

P1206