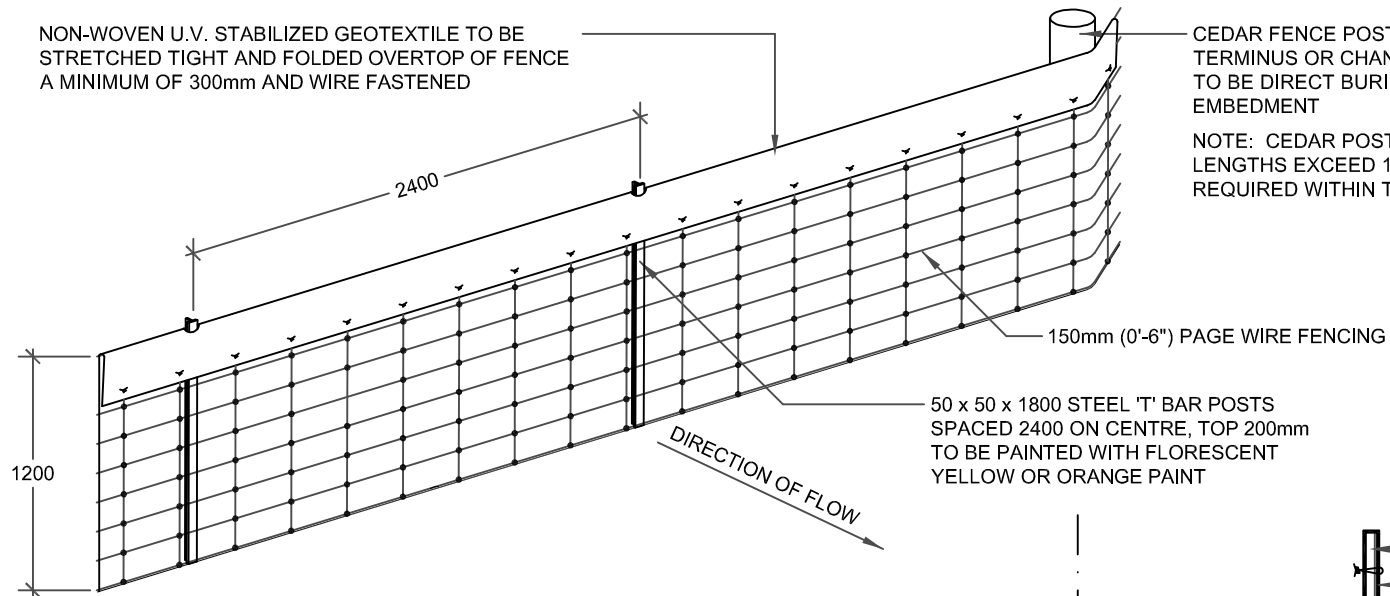


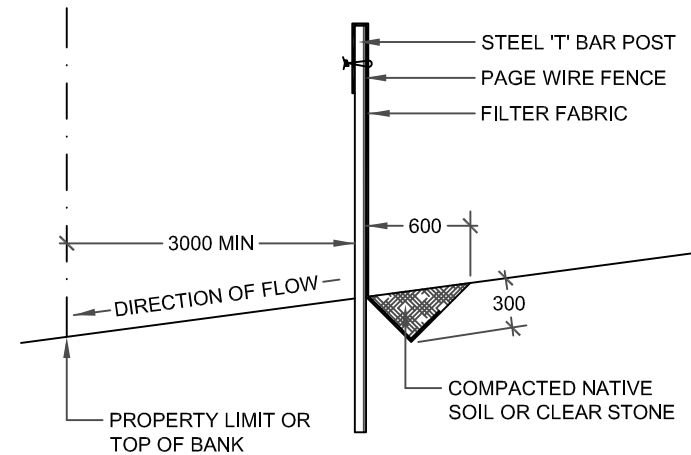
NON-WOVEN U.V. STABILIZED GEOTEXTILE TO BE STRETCHED TIGHT AND FOLDED OVERTOP OF FENCE A MINIMUM OF 300mm AND WIRE FASTENED



CEDAR FENCE POST TO BE PLACED AT EACH TERMINUS OR CHANGE OF DIRECTION, POSTS ARE TO BE DIRECT BURIED WITH A MINIMUM 1000 EMBEDMENT

NOTE: CEDAR POSTS ARE REQUIRED WHERE FENCE LENGTHS EXCEED 150 LINEAR METERS AND ARE NOT REQUIRED WITHIN THE MUNICIPAL BOULEVARDS

50 x 50 x 1800 STEEL 'T' BAR POSTS SPACED 2400 ON CENTRE, TOP 200mm TO BE PAINTED WITH FLORESCENT YELLOW OR ORANGE PAINT



1. THIS STANDARD IS TO BE USED IN ACCORDANCE WITH THE SITE ALTERATION BY-LAW FOR THE DESIGN AND MAINTENANCE OF EROSION CONTROL MEASURES AND IS TO BE ADMINISTERED ACCORDINGLY
2. SILT / SEDIMENT CONTROL FENCE SHOULD BE ALIGNED WITH CONTOURS FOR SHEET OVERLAND FLOW
3. SILTATION CONTROL FENCE IS TO BE LOCATED IN AREAS OF LOW SEDIMENT YIELD ON SLOPES THAT CONFIRM TO M.T.O. DRAINAGE MANUAL VOLUME 2 "CHART F4-3C TOPOGRAPHIC FACTOR LS BASED ON SLOPE LENGTH AND GRADIENT"
4. SILTATION CONTROL FENCE SHALL BE INSTALLED WITH FILTER MEDIA FABRIC TOED INTO THE SOIL 300mm BE EITHER STATIC SLICING OR TRENCHING METHODS WITH COMPACTION OF TRENCH MATERIAL MEETING 95% S.P.D.
5. ALL DIMENSIONS ARE IN MILLIMETRES UNLESS OTHERWISE SHOWN
6. SILT / SEDIMENT CONTROL FENCE MAY BE UTILIZED FOR TREE PRESERVATION AND IS TO BE USED IN CONJUNCTION WITH P1231, P1232 AND P1235



FENCE SILTATION CONTROL

REV No. DATE: APR 2023

3

SCALE: N.T.S.

P1233