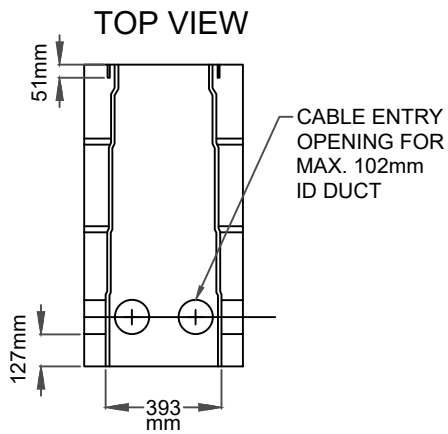
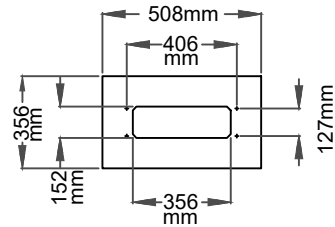
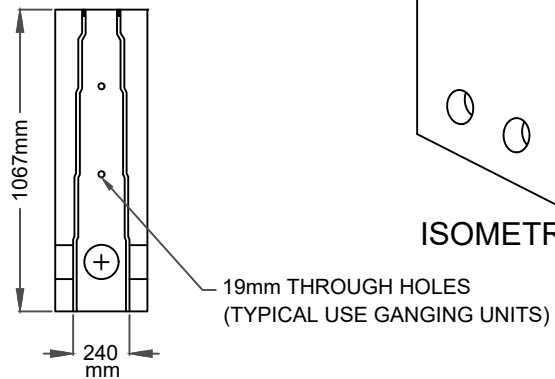


POWER SUPPLY PEDESTAL ASSEMBLY
(PEDESTAL SOLUTIONS INC.) OR
APPROVED EQUIVALENT

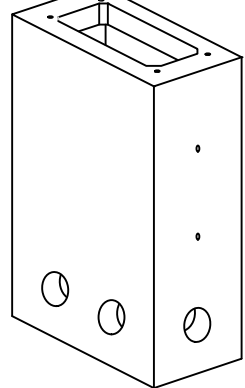


FRONT ELEVATION



SIDE ELEVATION

12.7mm PLASTIC
INSERT (TYP.)



ISOMETRIC VIEW

PREFABED CONCRETE BASE (BY BROOKLIN CONCRETE, MODEL
BCP 20PED) OR APPROVED EQUIVALENT

NOTES:

1. ALL DIMENSIONS ARE IN MILLIMETRES UNLESS OTHERWISE SHOWN.



POWER SUPPLY
PEDESTAL CONCRETE
PAD

REV No.	DATE: APR 2024
3	SCALE: N.T.S.

R334