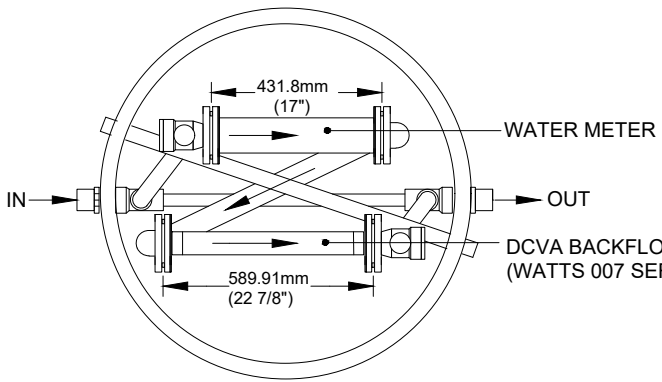


- NOTES:**
1. ALL MATERIAL SUPPLIES, INSPECTIONS, TESTING, AND SAMPLING TO BE COORDINATED WITH CITY WATER OPERATIONS STAFF, WITH MINIMUM ONE WEEK NOTICE.
 2. BACKFLOW DEVICE TEST COCKS TO BE PLUGGED WATER TIGHT.
 3. PIT SETTERS SHALL BE ORDERED TO A LENGTH/DEPTH THAT IS CONSISTENT WITH THE INCOMING WATER SERVICE.
 4. LIFTINGS/MOSULOCKS ARE NOT PERMITTED IN THE INSTALLATION OF PIT SETTERS.
 5. UPSTREAM AND DOWNSTREAM PIPING(CONNECTION TO THE PIT SETTER) SHALL BE COPPER OR PEX.



DETAIL



Water Service Parks Irrigation

REV No.	DATE: APR 2024
5	SCALE: N.T.S
W506	