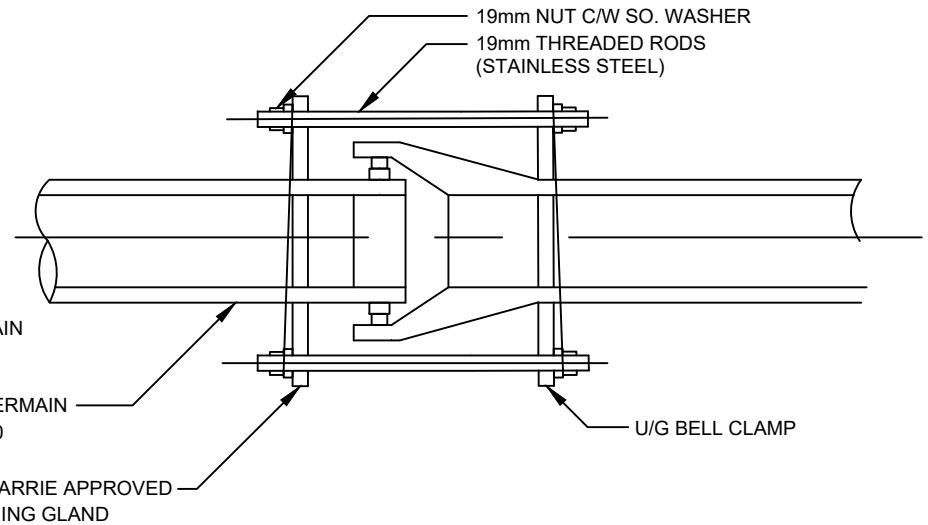
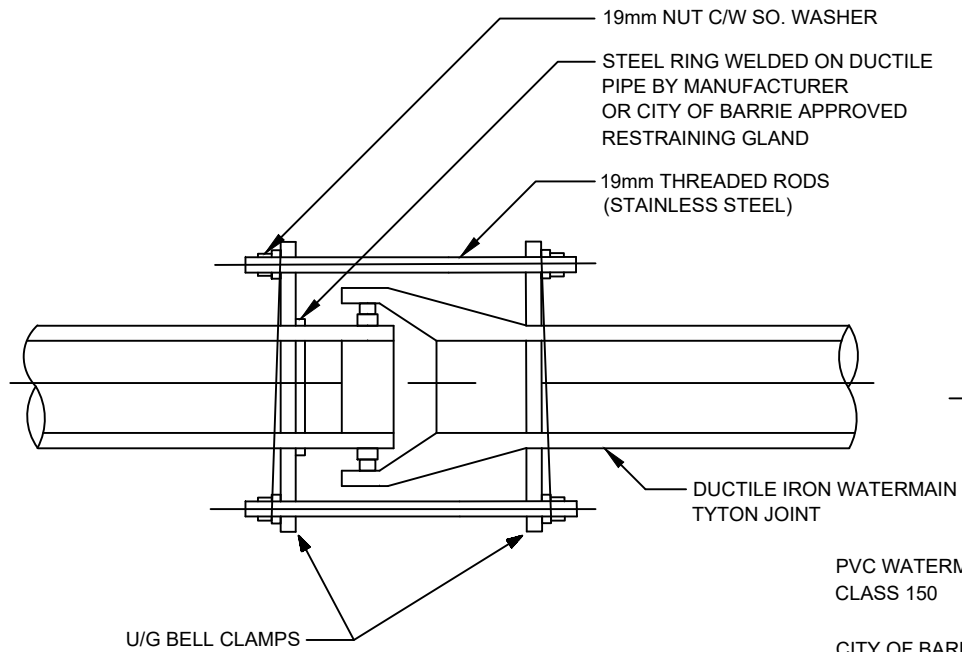


DUCTILE IRON

PVC



# Watermain Restraining

REV No.

DATE: APR 2023

2

SCALE: N.T.S

W512