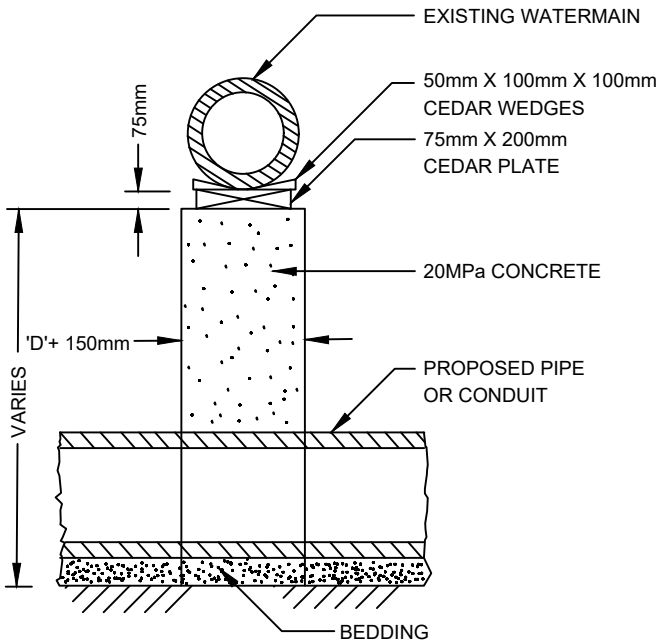
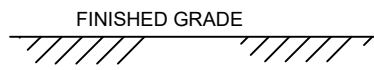
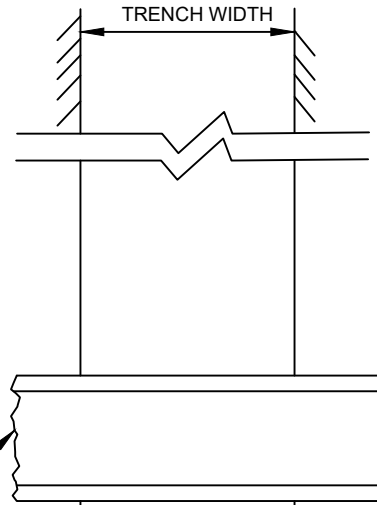
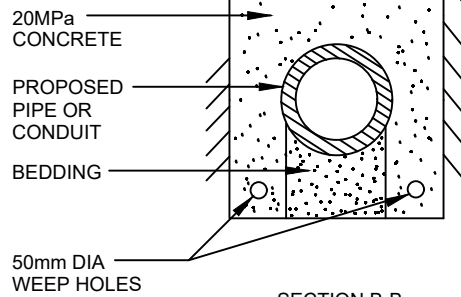


PLAN



SECTION A-A



SECTION B-B

NOTES:

1. CONCRETE ENCASED MAINS SHALL BE SUPPORTED WITH CONCRETE TO UNDERSIDE OF MAIN. BOND BREAKER IS TO BE USED BETWEEN THE TWO SURFACES.
2. ALL DIMENSIONS ARE IN MILLIMETERS UNLESS OTHERWISE SHOWN.



# Watermain Support 300mm and Larger

REV No.  
**2**

DATE: APR 2023

SCALE: N.T.S

**W520**