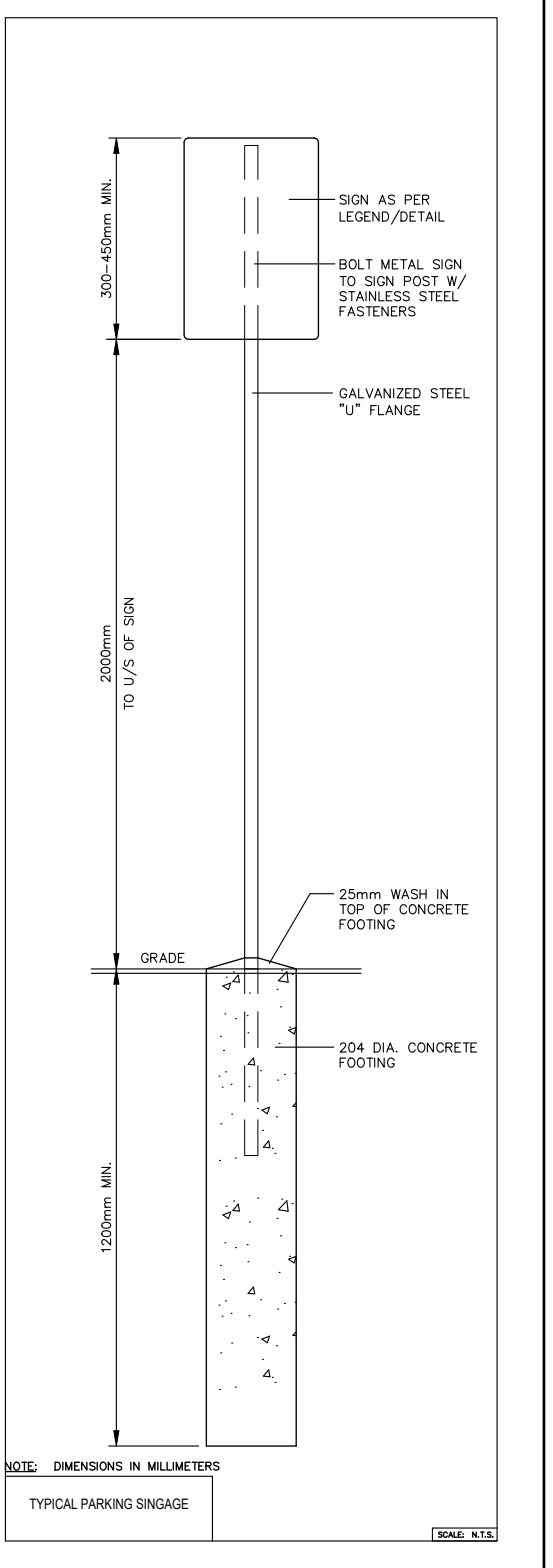
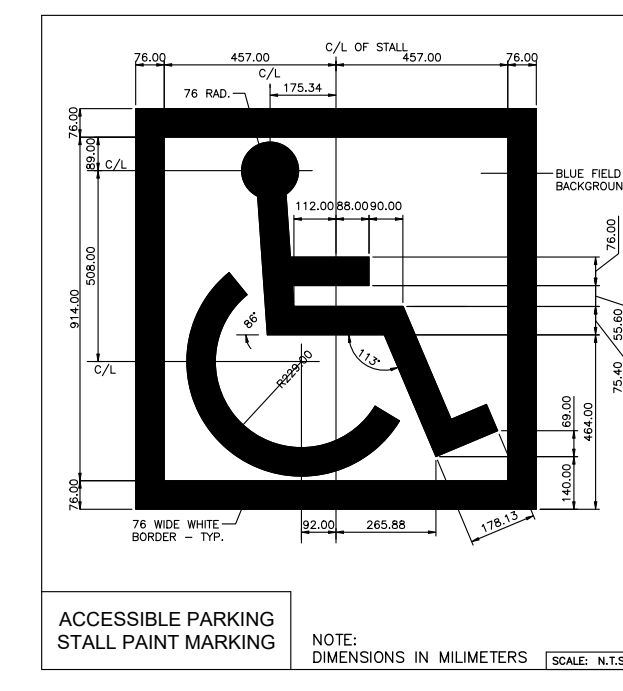
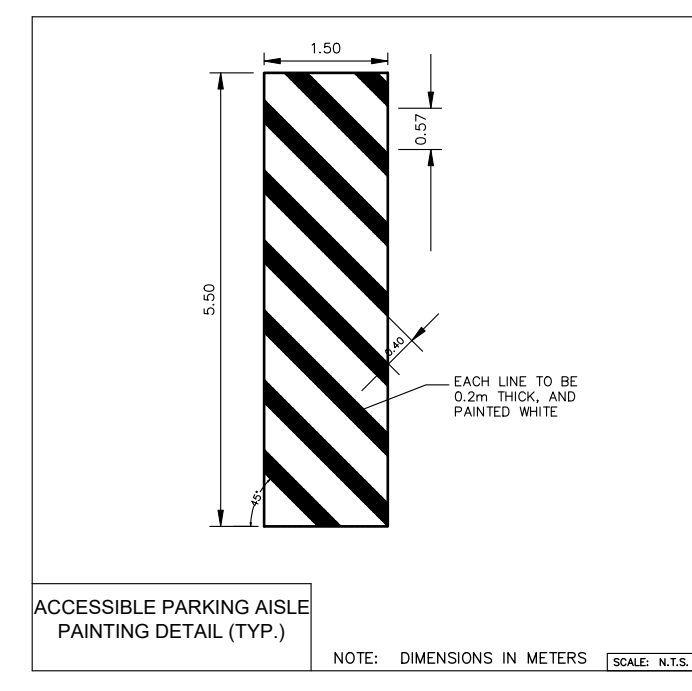


REFER TO THE ONTARIO TRAFFIC MANUAL FOR ALL SIGNAGE AND PAVEMENT MARKINGS DETAILS UNLESS NOTED OTHERWISE

FIRE ROUTE Rb-51 (MCD) PROPOSED SIGN & DESIGNATION

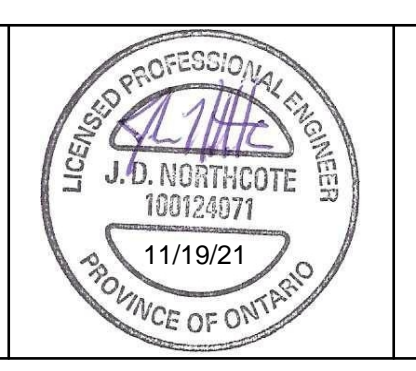
	STOP SIGN (Rb-1)		KEEP RIGHT (Rb-25)
	NO PARKING - FIRE ROUTE (MODIFIED Rb-51)		OBJECT MARKER (Wg-33L)
	ACCESSIBLE PARKING BY PERMIT ONLY (Rb-93)		DO NOT ENTER (Rb-19)
	VISITOR PARKING (Vp)		NO LEFT TURN (Rb-12)
	COMPACT CAR PARKING (Cp)		



NO.	DATE	APPROVED	REVISIONS
2.	NOV 2021	JN	SECOND SUBMISSION
1.	JUNE 2021	JN	ZONING AND SPA

NO.	DATE	APPROVED	REVISIONS
2.	NOV 2021	JN	SECOND SUBMISSION
1.	JUNE 2021	JN	ZONING AND SPA

**JD Northcote Engineering Inc.**  
 Phone: 705.725.4035  
 86 Cumberland Street  
 Barrie, ON L4R 2P9  
 www.JDEngineering.ca



AREA MUNICIPALITY  
**CITY OF BARRIE**

**67 OWEN STREET**

PAVEMENT MARKING & SIGNAGE PLAN  
 GROUND FLOOR

DESIGN: JN	DATE: 06/21
DRAWN: JN	DATE: 06/21
REVIEWED: JN	DATE: 06/21
SCALE HOR: 1:200	SCALE VERT: N/A
SHEET NO. 1796 - PMSP A	